

**MATERIAL SCHEDULE**

WD-01	WALNUT WOOD VENEER OVER 3/4" PLYWOOD, STAINED FINISH, COLOR T.B.D.
WD-02	WALNUT WOOD SLATS, STAINED FINISH, COLOR T.B.D.
WD-03	PAINTED MDF, MATTE COLOR WHITE
SS-01	DUPONT CORIAN, MODERN WHITE

**HARDWARE SCHEDULE**

H-1	BLUM CLIP TOP 95° INSERTA 71T95908
H-2	ACCURIDE SIDE MOUNT DRAWER SLIDE #3307
H-3	STAINLESS STEEL PULL HAFELE 100.45.055

**GENERAL NOTE:**

PROJECT:

PROJECT ADDRESS

ARCHITECT:

ARCHITECT ADDRESS

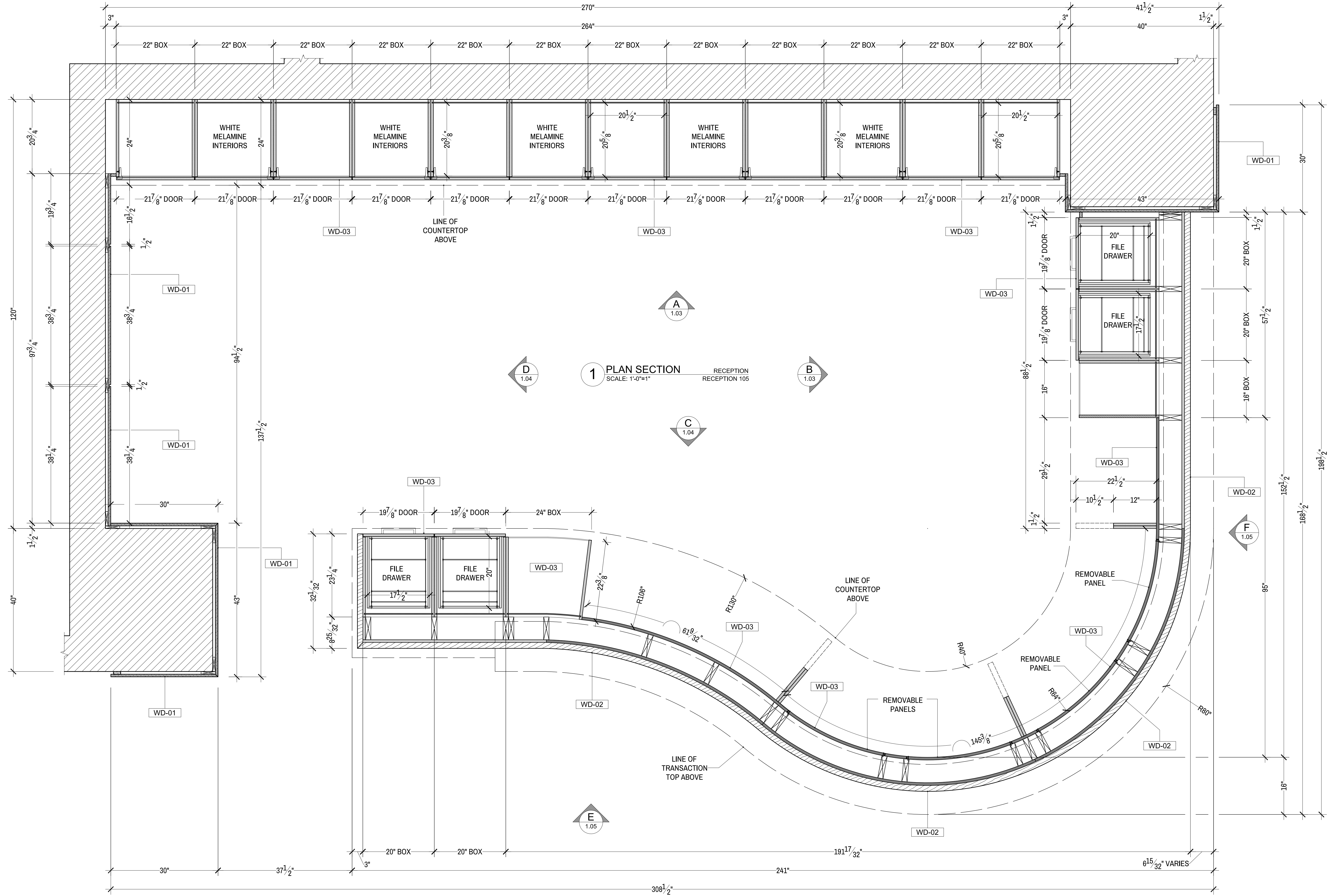
DESIGNER:

DESIGNER ADDRESS

REVISION/DATE:	FOR:	DRAWN BY:
1 00/00/00	FOR SUBMITTAL	DA
2		
3		
4		
5		

JOB NO:	PAGE:
SCALE: AS SHOWN	1.01
DATE: 00/00/00	



**1 PLAN SECTION**  
 SCALE: 1'-0"=1"  
 RECEPTION  
 RECEPTION 105

**A**  
1.03

**B**  
1.03

**C**  
1.04

**D**  
1.04

**E**  
1.05

**F**  
1.05



**MATERIAL SCHEDULE**

WD-01	WALNUT WOOD VENEER OVER 3/4" PLYWOOD, STAINED FINISH, COLOR T.B.D.
WD-02	WALNUT WOOD SLATS, STAINED FINISH, COLOR T.B.D.
WD-03	PAINTED MDF, MATTE COLOR WHITE
SS-01	DUPONT CORIAN, MODERN WHITE

**HARDWARE SCHEDULE**

H-1	BLUM CLIP TOP 95° INSERTA 71T95908
H-2	ACCURIDE SIDE MOUNT DRAWER SLIDE #3307
H-3	STAINLESS STEEL PULL HAFELE 100.45.055

**GENERAL NOTE:**

PROJECT:

PROJECT ADDRESS

ARCHITECT:

ARCHITECT ADDRESS

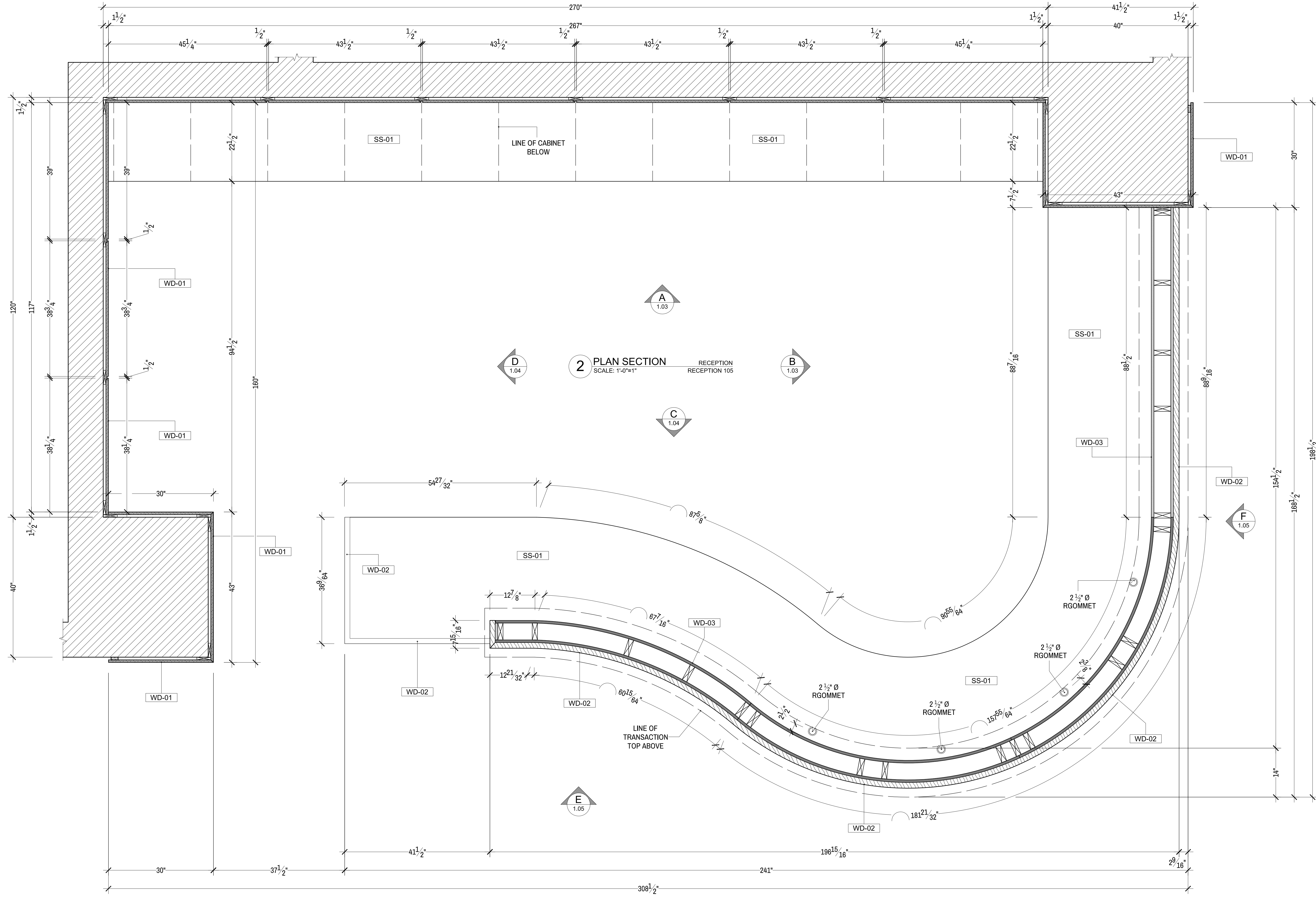
DESIGNER:

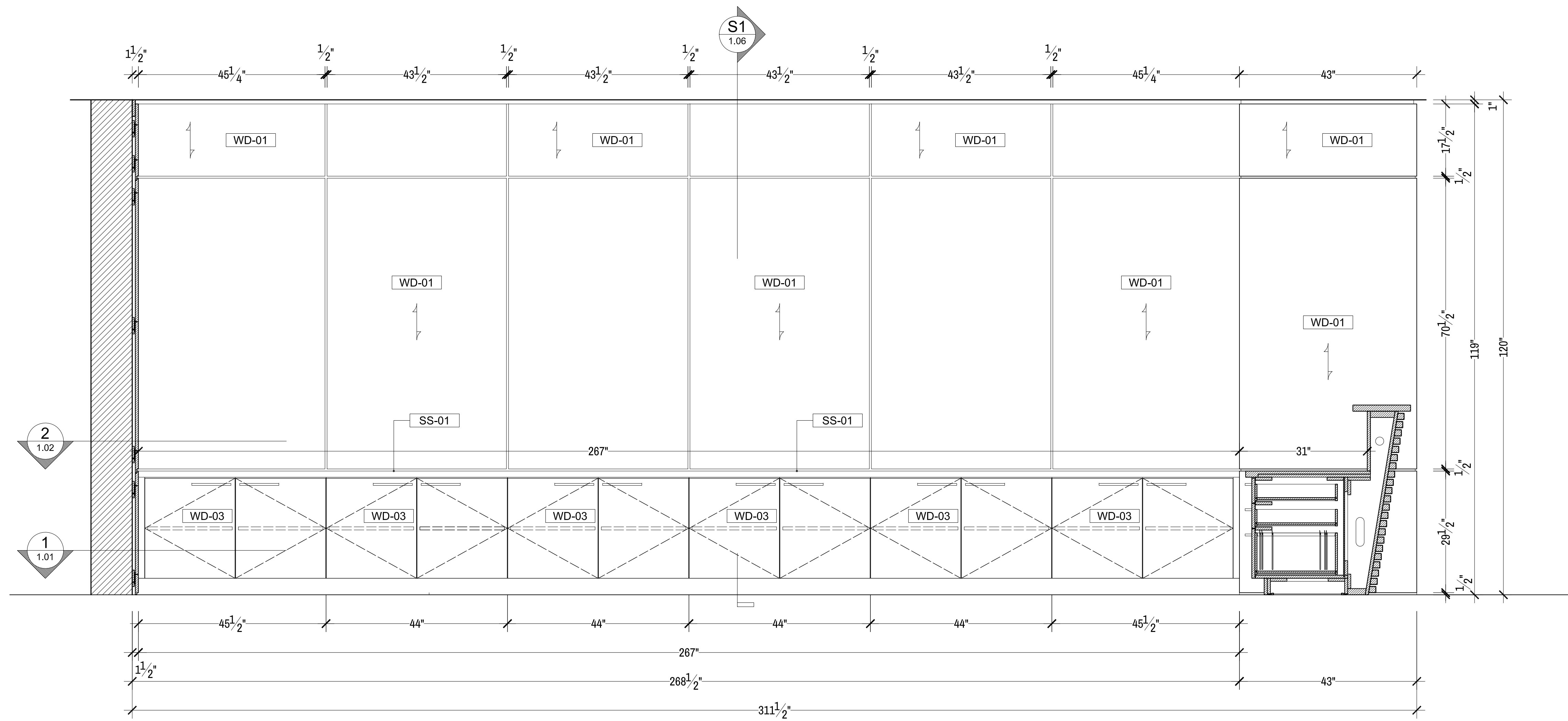
DESIGNER ADDRESS

REVISION/DATE:	FOR:	DRAWN BY:
1 00/00/00	FOR SUBMITTAL	DA
2		
3		
4		
5		

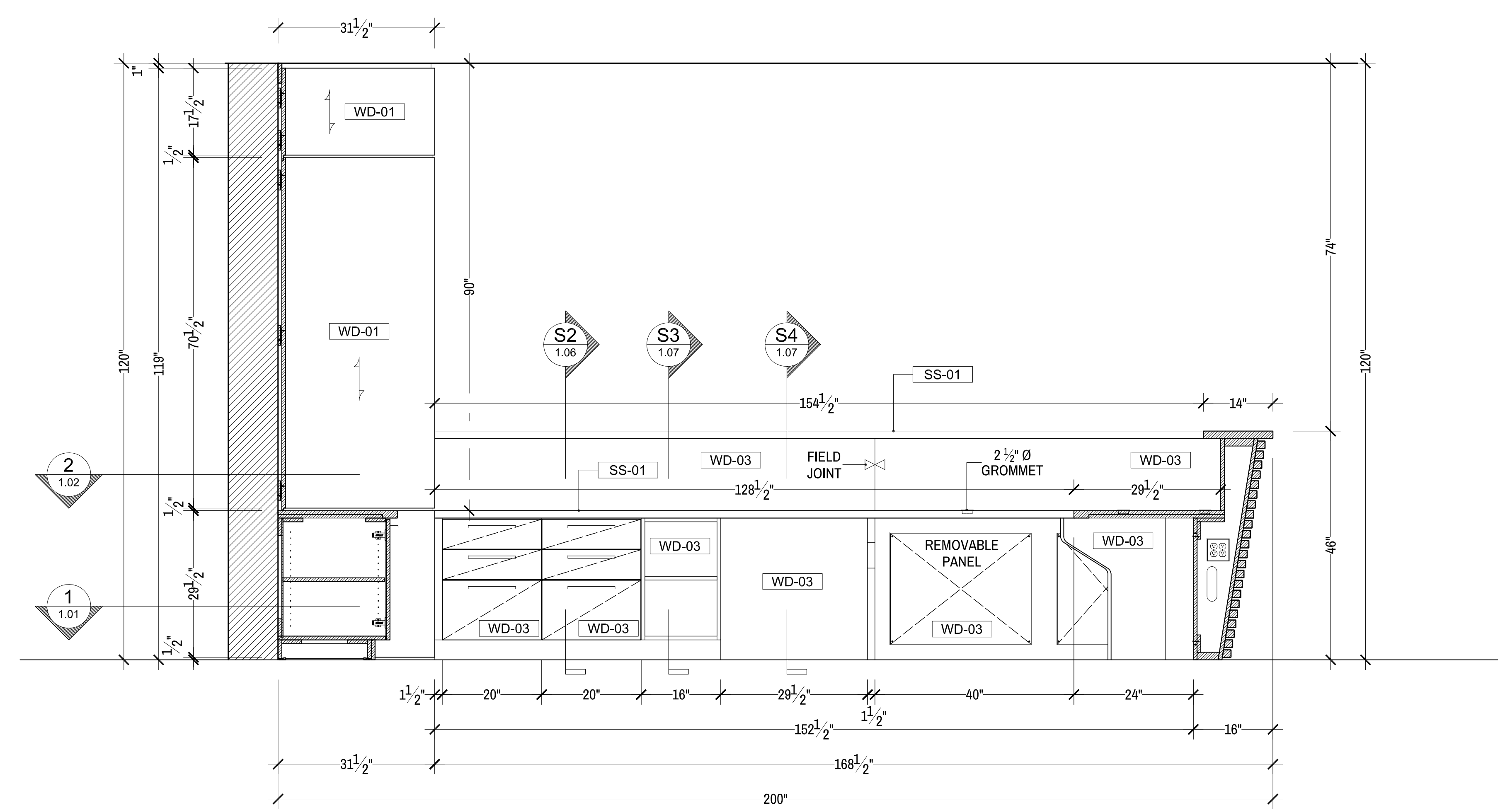
  

JOB NO:	PAGE:
SCALE: AS SHOWN	1.02
DATE: 00/00/00	





**A ELEVATION**  
 SCALE: 1'-0"=3/4"  
 RECEPTION RECEPTION 105



**B ELEVATION**  
 SCALE: 1'-0"=3/4"  
 RECEPTION RECEPTION 105

**MATERIAL SCHEDULE**

WD-01	WALNUT WOOD VENEER OVER 3/4" PLYWOOD, STAINED FINISH, COLOR T.B.D.
WD-02	WALNUT WOOD SLATS, STAINED FINISH, COLOR T.B.D.
WD-03	PAINTED MDF, MATTE COLOR WHITE
SS-01	DUPONT CORIAN, MODERN WHITE

**HARDWARE SCHEDULE**

H-1	BLUM CLIP TOP 95° INSERTA 71T95908
H-2	ACCURIDE SIDE MOUNT DRAWER SLIDE #3307
H-3	STAINLESS STEEL PULL HAFELE 100.45.055

**GENERAL NOTE:**

PROJECT:

PROJECT ADDRESS

ARCHITECT:

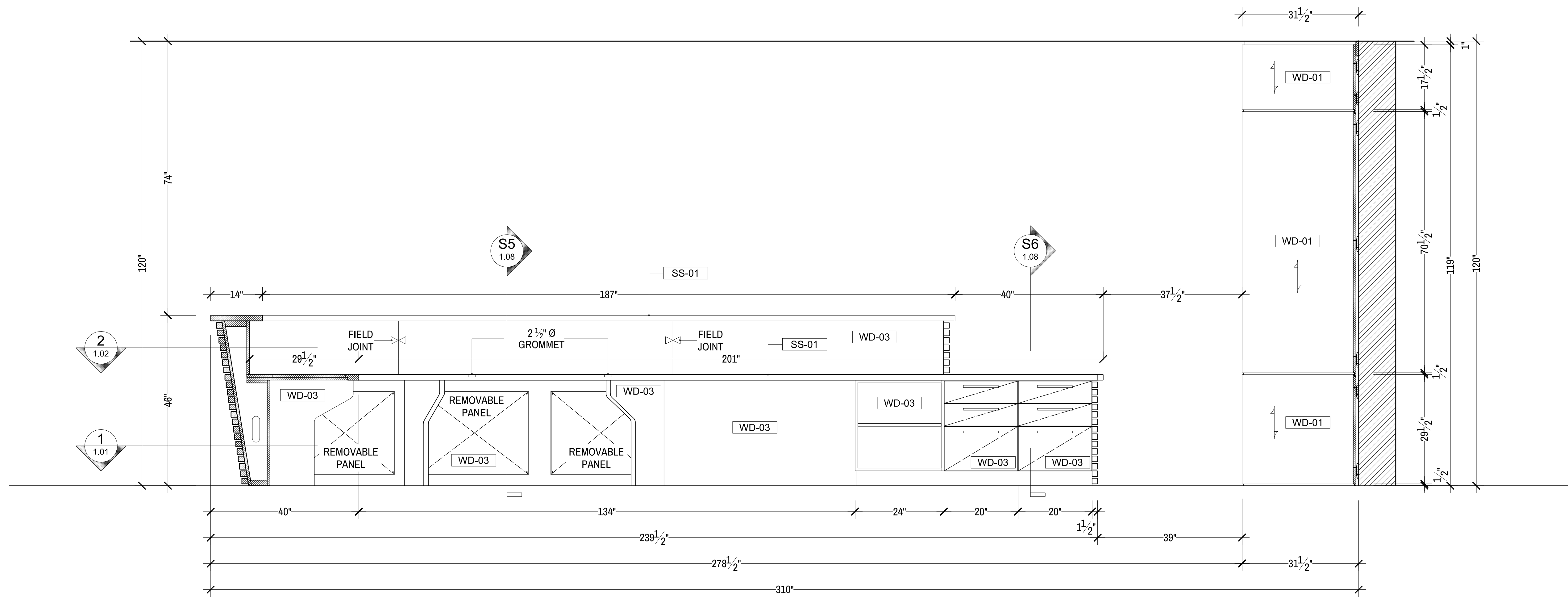
ARCHITECT ADDRESS

DESIGNER:

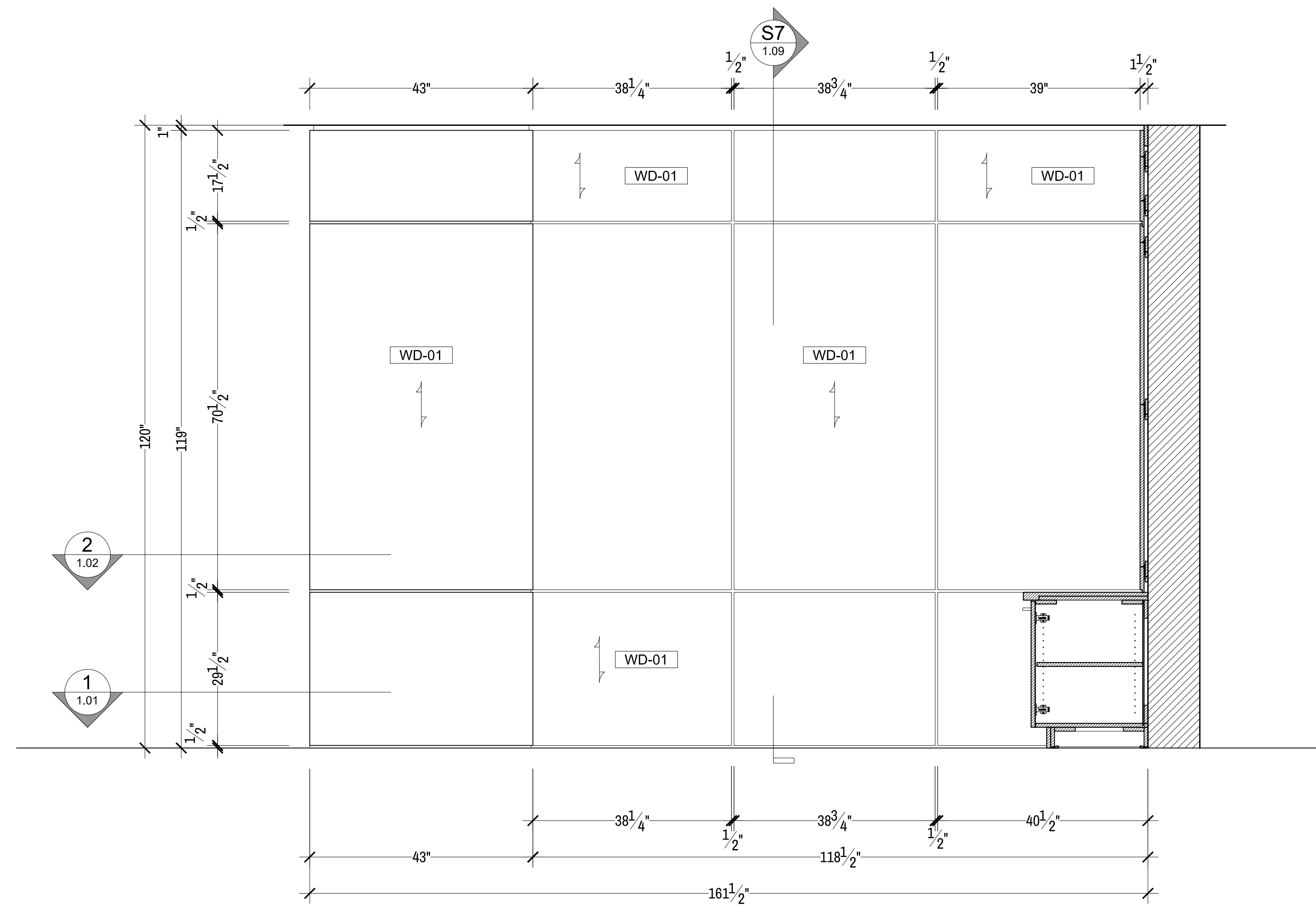
DESIGNER ADDRESS

REVISION/DATE:	FOR:	DRAWN BY:
1 00/00/00	FOR SUBMITTAL	DA
2		
3		
4		
5		





**C ELEVATION** RECEPTION RECEPTION 105  
 SCALE: 1'-0"=3/4"



**D ELEVATION** RECEPTION RECEPTION 105  
 SCALE: 1'-0"=3/4"

**MATERIAL SCHEDULE**

WD-01	WALNUT WOOD VENEER OVER 3/4" PLYWOOD, STAINED FINISH, COLOR T.B.D.
WD-02	WALNUT WOOD SLATS, STAINED FINISH, COLOR T.B.D.
WD-03	PAINTED MDF, MATTE COLOR WHITE
SS-01	DUPONT CORIAN, MODERN WHITE

**HARDWARE SCHEDULE**

H-1	BLUM CLIP TOP 95° INSERTA 71T95908
H-2	ACCURIDE SIDE MOUNT DRAWER SLIDE #3307
H-3	STAINLESS STEEL PULL HAFELE 100.45.055

**GENERAL NOTE:**

PROJECT:

PROJECT ADDRESS

ARCHITECT:

ARCHITECT ADDRESS

DESIGNER:

DESIGNER ADDRESS

REVISION/DATE:	FOR:	DRAWN BY:
1 00/00/00	FOR SUBMITTAL	DA
2		
3		
4		
5		

**MATERIAL SCHEDULE**

WD-01	WALNUT WOOD VENEER OVER 3/4" PLYWOOD, STAINED FINISH, COLOR T.B.D.
WD-02	WALNUT WOOD SLATS, STAINED FINISH, COLOR T.B.D.
WD-03	PAINTED MDF, MATTE COLOR WHITE
SS-01	DUPONT CORIAN, MODERN WHITE

**HARDWARE SCHEDULE**

H-1	BLUM CLIP TOP 95° INSERTA 71T95908
H-2	ACCURIDE SIDE MOUNT DRAWER SLIDE #3307
H-3	STAINLESS STEEL PULL HAFELE 100.45.055

**GENERAL NOTE:**

PROJECT:

PROJECT ADDRESS

ARCHITECT:

ARCHITECT ADDRESS

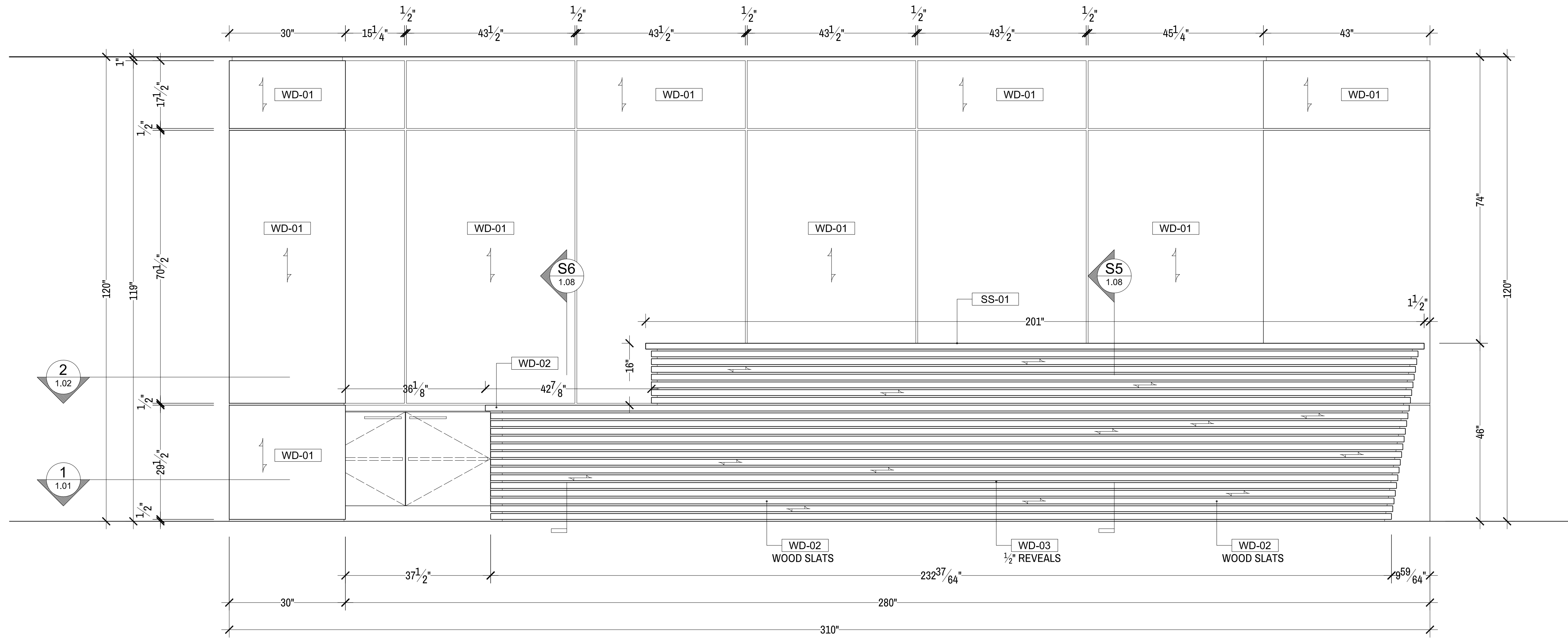
DESIGNER:

DESIGNER ADDRESS

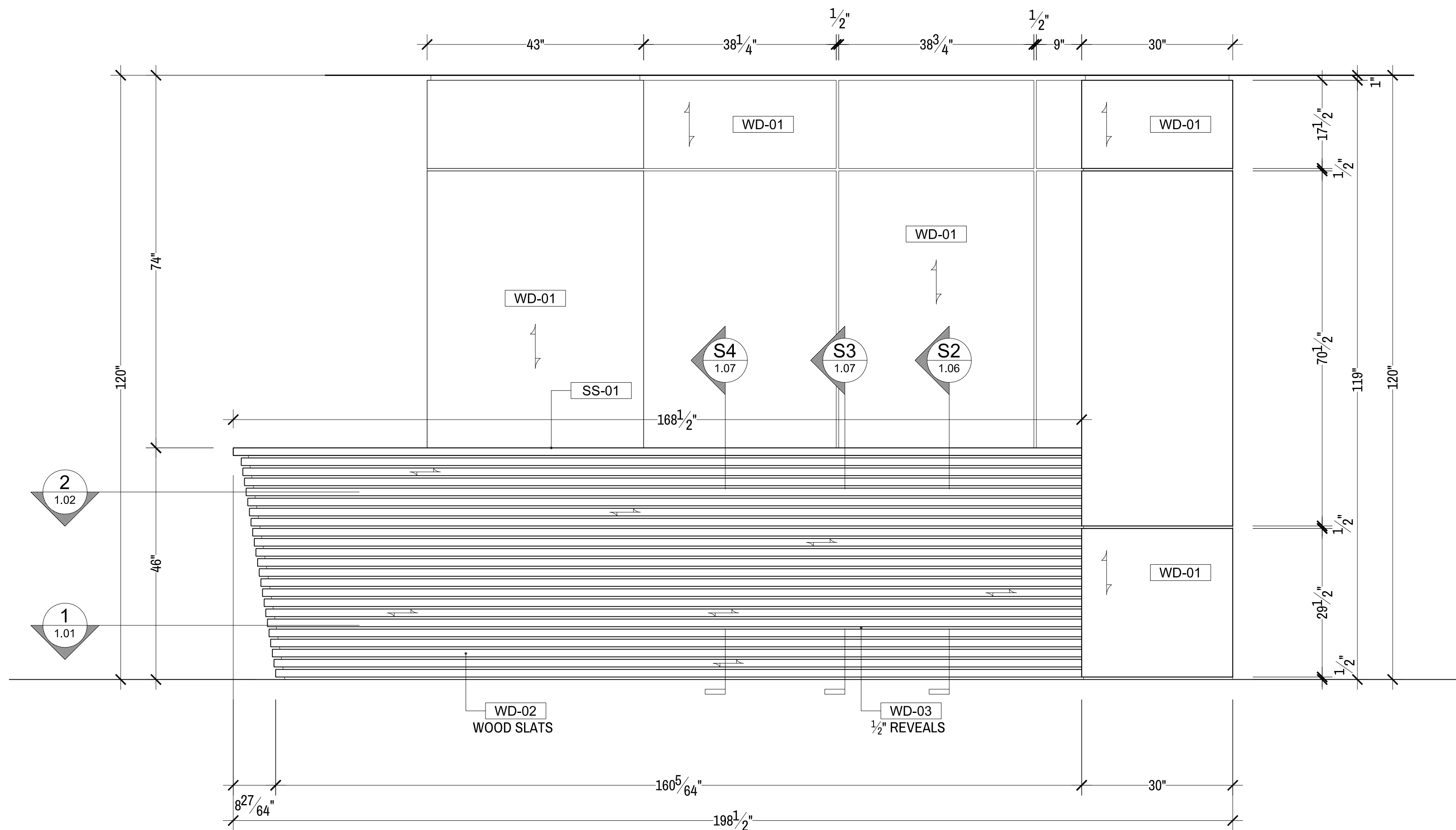
REVISION/DATE:	FOR:	DRAWN BY:
1 00/00/00	FOR SUBMITTAL	DA
2		
3		
4		
5		

JOB NO:	PAGE:
SCALE: AS SHOWN	1.05
DATE: 00/00/00	



**E ELEVATION** RECEPTION  
SCALE: 1'-0"=3/4" RECEPTION 105



**F ELEVATION** RECEPTION  
SCALE: 1'-0"=3/4" RECEPTION 105

**MATERIAL SCHEDULE**

WD-01	WALNUT WOOD VENEER OVER 3/4" PLYWOOD, STAINED FINISH, COLOR T.B.D.
WD-02	WALNUT WOOD SLATS, STAINED FINISH, COLOR T.B.D.
WD-03	PAINTED MDF, MATTE COLOR WHITE
SS-01	DUPONT CORIAN, MODERN WHITE

**HARDWARE SCHEDULE**

H-1	BLUM CLIP TOP 95° INSERTA 71T95908
H-2	ACCURIDE SIDE MOUNT DRAWER SLIDE #3307
H-3	STAINLESS STEEL PULL HAFELE 100.45.055

**GENERAL NOTE:**

PROJECT:

PROJECT ADDRESS

ARCHITECT:

ARCHITECT ADDRESS

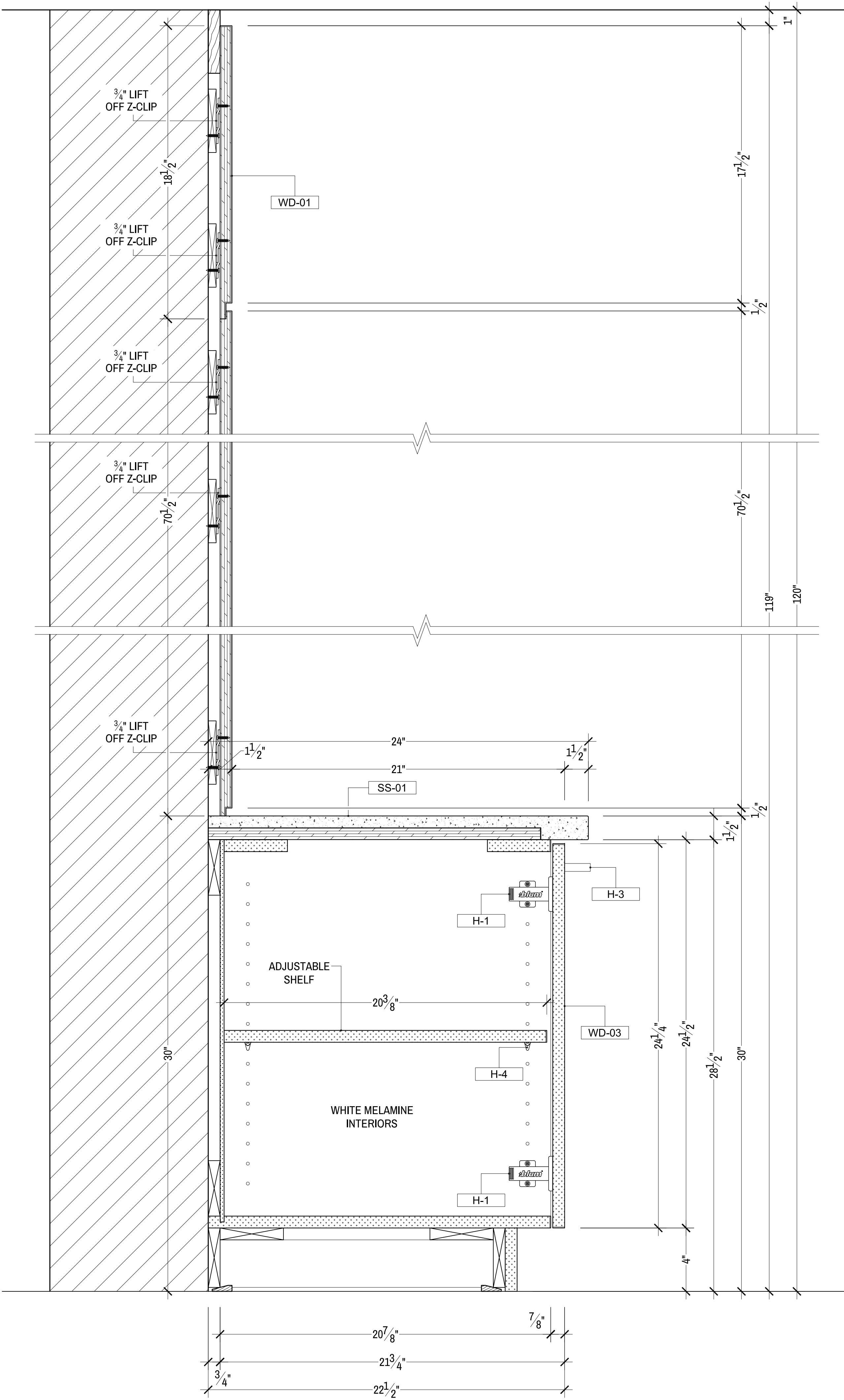
DESIGNER:

DESIGNER ADDRESS

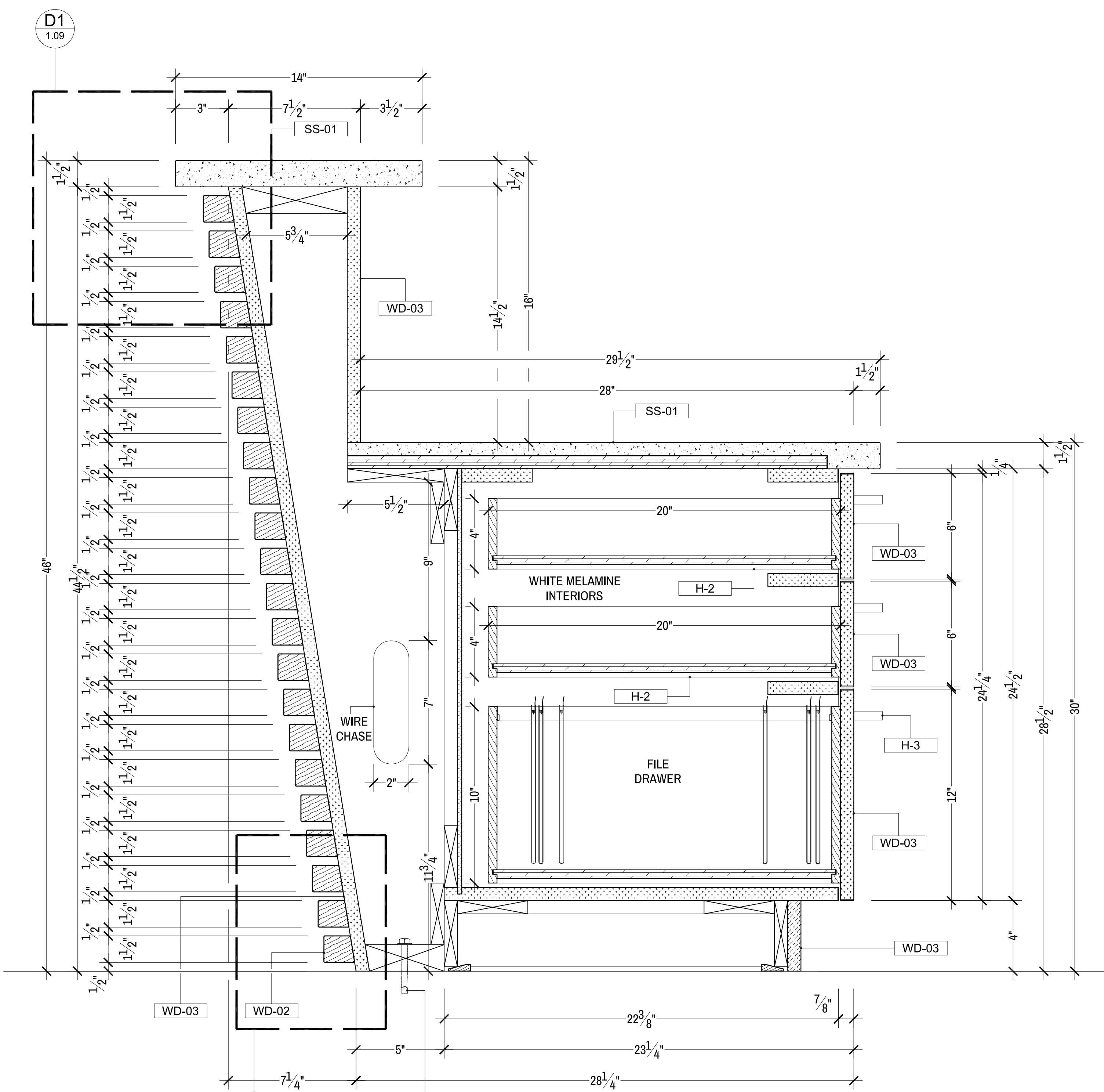
REVISION/DATE:	FOR:	DRAWN BY:
1 00/00/00	FOR SUBMITTAL	DA
2		
3		
4		
5		

JOB NO:	PAGE:
SCALE: AS SHOWN	1.06
DATE: 00/00/00	



**S1 ELEVATION** RECEPTION  
 SCALE: 1'-0"=3" RECEPTION 105



**S2 ELEVATION** RECEPTION  
 SCALE: 1'-0"=3" RECEPTION 105

M12X5-1/8" HILTI HSL-3-G  
 HEAVY DUTY SLEEVE ANCHOR



**MATERIAL SCHEDULE**

WD-01	WALNUT WOOD VENEER OVER 3/4" PLYWOOD, STAINED FINISH, COLOR T.B.D.
WD-02	WALNUT WOOD SLATS, STAINED FINISH, COLOR T.B.D.
WD-03	PAINTED MDF, MATTE COLOR WHITE
SS-01	DUPONT CORIAN, MODERN WHITE

**HARDWARE SCHEDULE**

H-1	BLUM CLIP TOP 95° INSERTA 71T95908
H-2	ACCURIDE SIDE MOUNT DRAWER SLIDE #3307
H-3	STAINLESS STEEL PULL HAFELE 100.45.055

**GENERAL NOTE:**

PROJECT:

PROJECT ADDRESS

ARCHITECT:

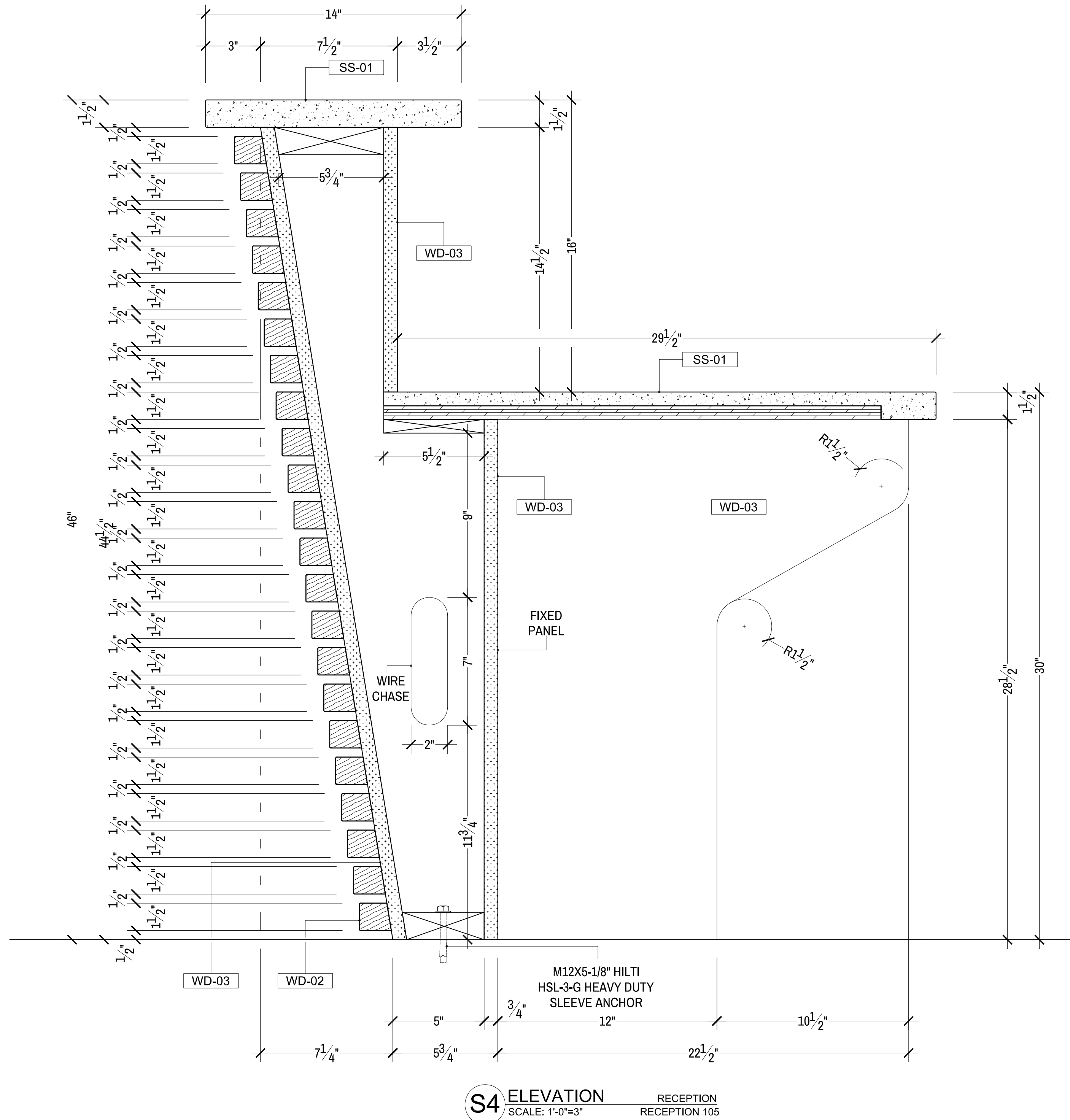
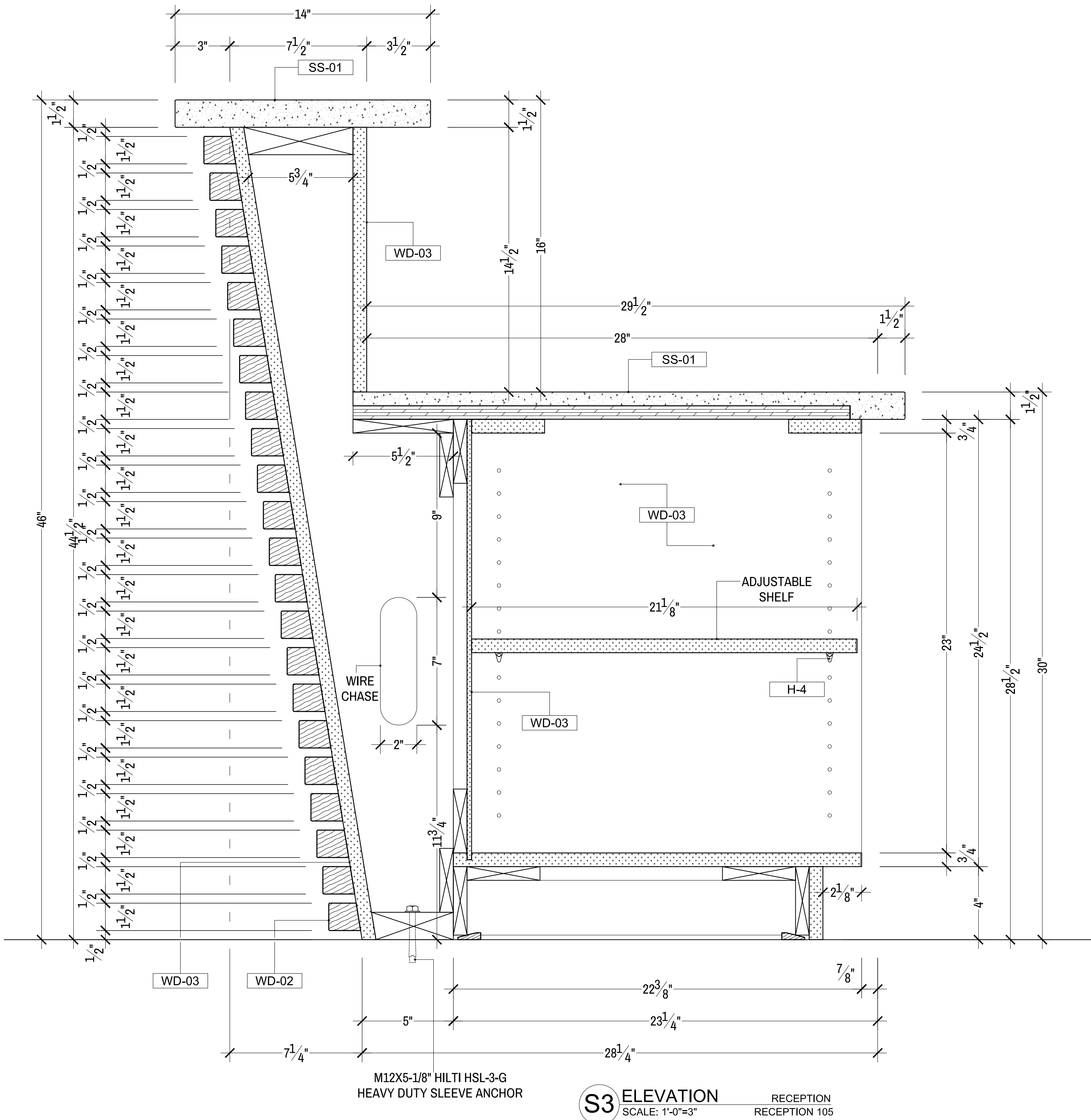
ARCHITECT ADDRESS

DESIGNER:

DESIGNER ADDRESS

REVISION/DATE:	FOR:	DRAWN BY:
1 00/00/00	FOR SUBMITTAL	DA
2		
3		
4		
5		

JOB NO:	PAGE:
SCALE: AS SHOWN	1.07
DATE: 00/00/00	



M12X5-1/8" HILTI HSL-3-G HEAVY DUTY SLEEVE ANCHOR

M12X5-1/8" HILTI HSL-3-G HEAVY DUTY SLEEVE ANCHOR

**MATERIAL SCHEDULE**

WD-01	WALNUT WOOD VENEER OVER 3/4" PLYWOOD STAINED FINISH, COLOR T.B.D.
WD-02	WALNUT WOOD SLATS STAINED FINISH, COLOR T.B.D.
WD-03	PAINTED MDF MATTE COLOR WHITE
SS-01	DUPONT CORIAN MODERN WHITE

**HARDWARE SCHEDULE**

H-1	BLUM CLIP TOP 95° INSERTA 71T95908
H-2	ACCURIDE SIDE MOUNT DRAWER SLIDE #3307
H-3	STAINLESS STEEL PULL HAFELE 100.45.055

**GENERAL NOTE:**

PROJECT:

PROJECT ADDRESS

ARCHITECT:

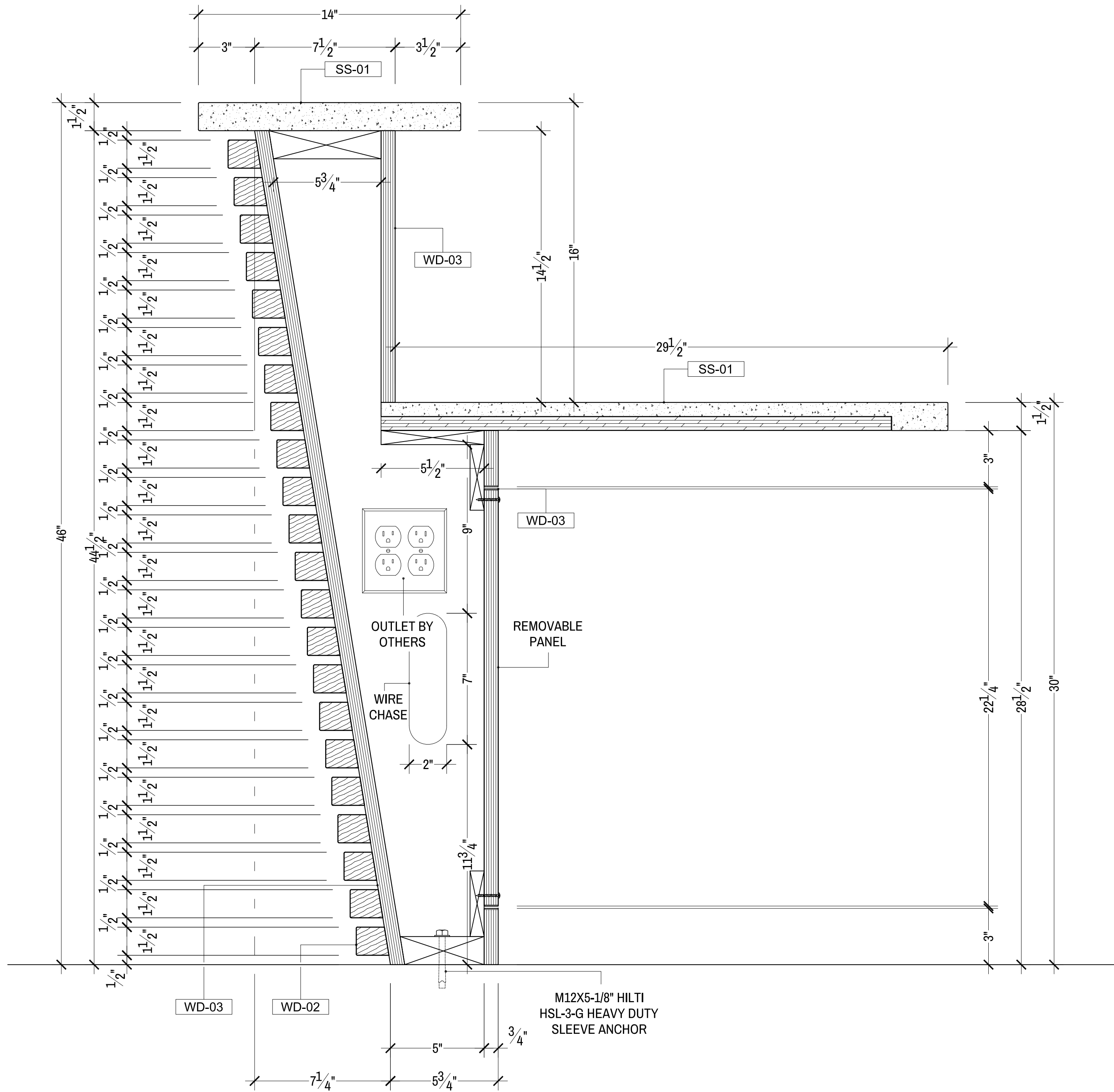
ARCHITECT ADDRESS

DESIGNER:

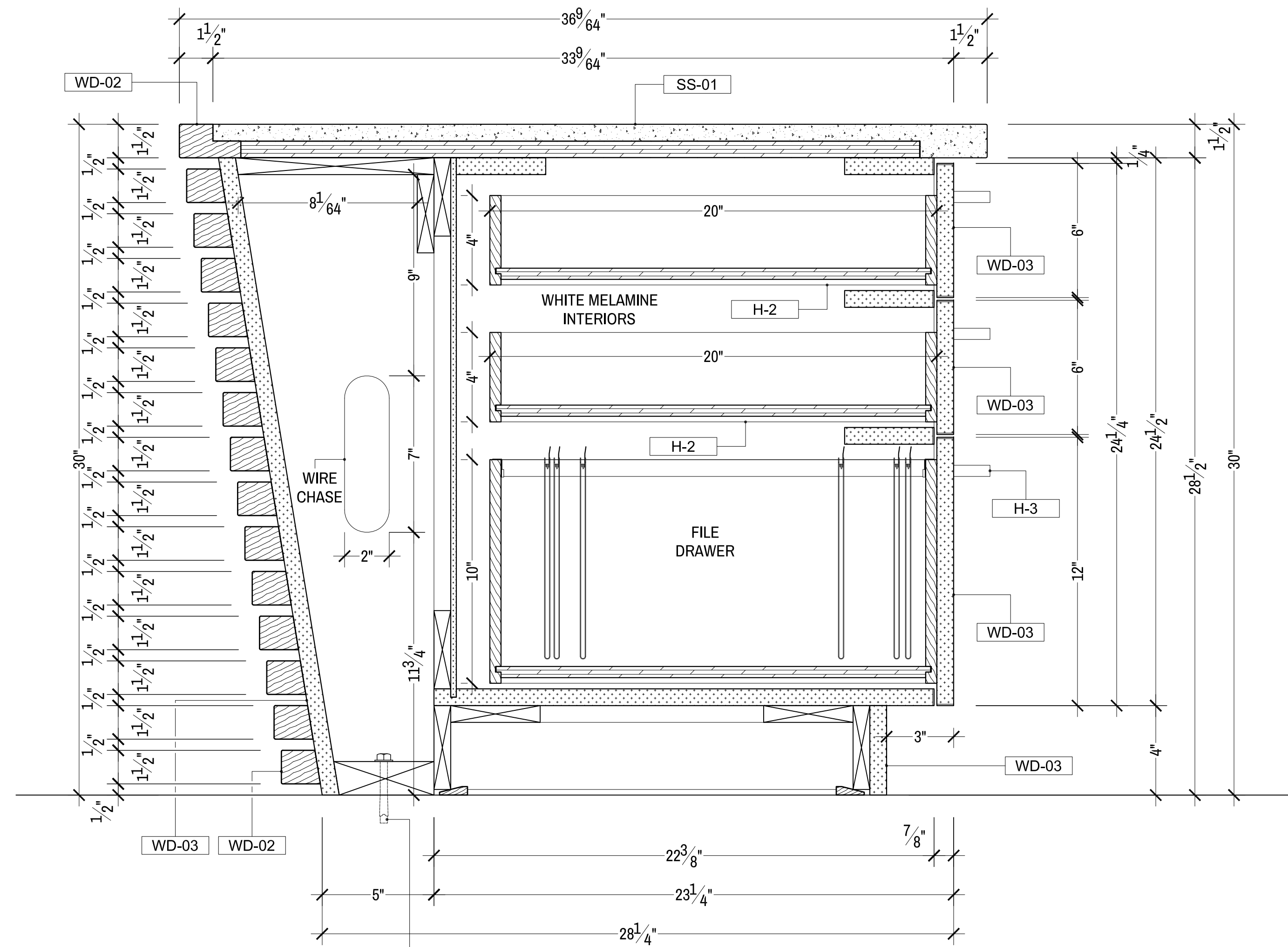
DESIGNER ADDRESS

REVISION/DATE:	FOR:	DRAWN BY:
1 00/00/00	FOR SUBMITTAL	DA
2		
3		
4		
5		

JOB NO:	PAGE:
SCALE: AS SHOWN	1.08
DATE: 00/00/00	



**S5 ELEVATION** RECEPTION  
 SCALE: 1'-0"=3"  
 RECEPTION 105



**S6 ELEVATION** RECEPTION  
 SCALE: 1'-0"=3"  
 RECEPTION 105

M12X5-1/8" HILTI HSL-3-G HEAVY DUTY SLEEVE ANCHOR

M12X5-1/8" HILTI HSL-3-G HEAVY DUTY SLEEVE ANCHOR



**MATERIAL SCHEDULE**

WD-01	WALNUT WOOD VENEER OVER 3/4" PLYWOOD, STAINED FINISH, COLOR T.B.D.
WD-02	WALNUT WOOD SLATS, STAINED FINISH, COLOR T.B.D.
WD-03	PAINTED MDF, MATTE COLOR WHITE
SS-01	DUPONT CORIAN, MODERN WHITE

**HARDWARE SCHEDULE**

H-1	BLUM CLIP TOP 95° INSERTA 71T95908
H-2	ACCURIDE SIDE MOUNT DRAWER SLIDE #3307
H-3	STAINLESS STEEL PULL HAFELE 100.45.055

**GENERAL NOTE:**

PROJECT:

PROJECT ADDRESS

ARCHITECT:

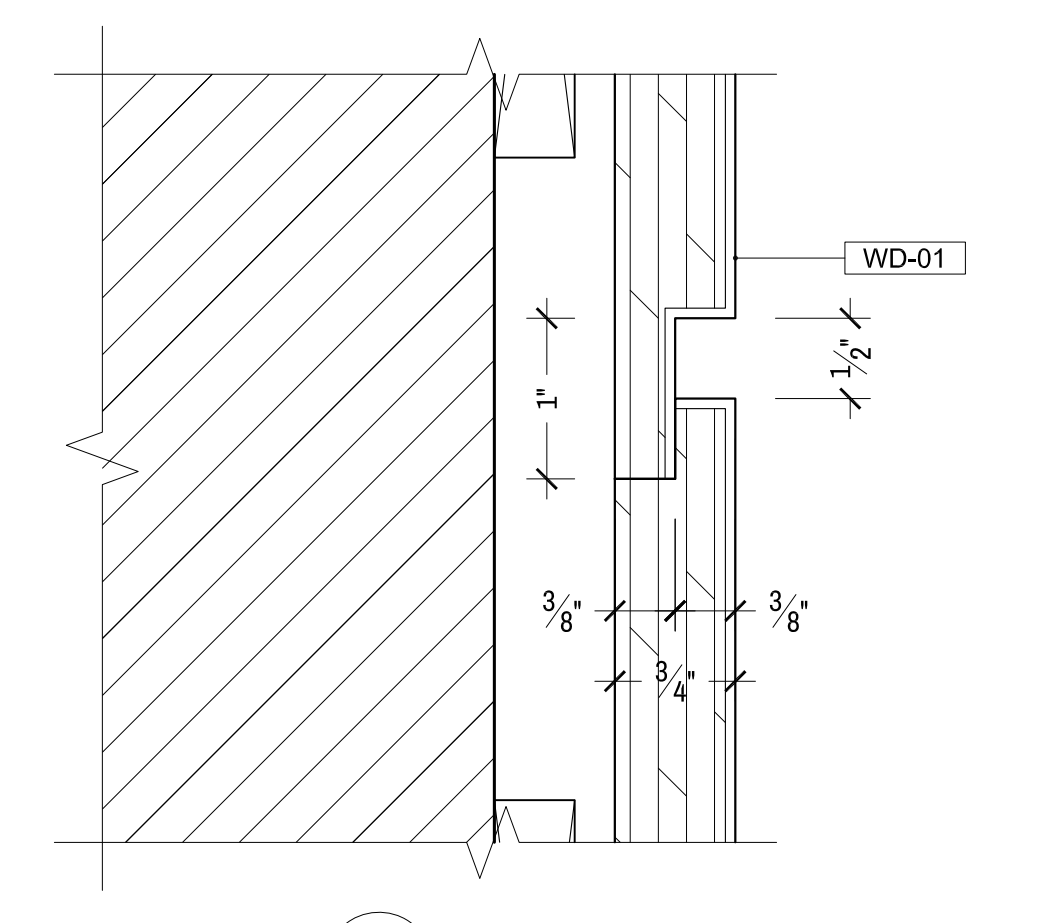
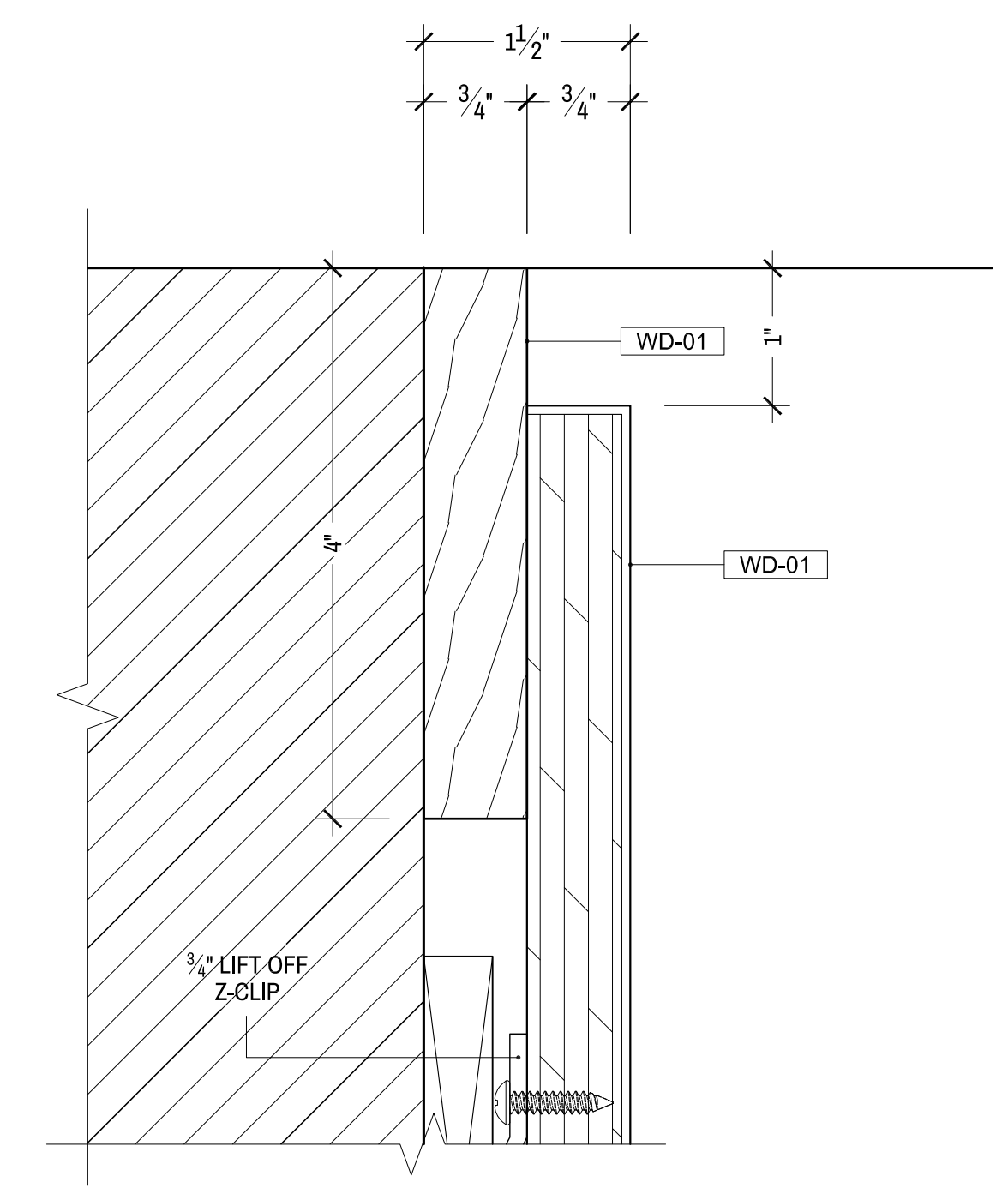
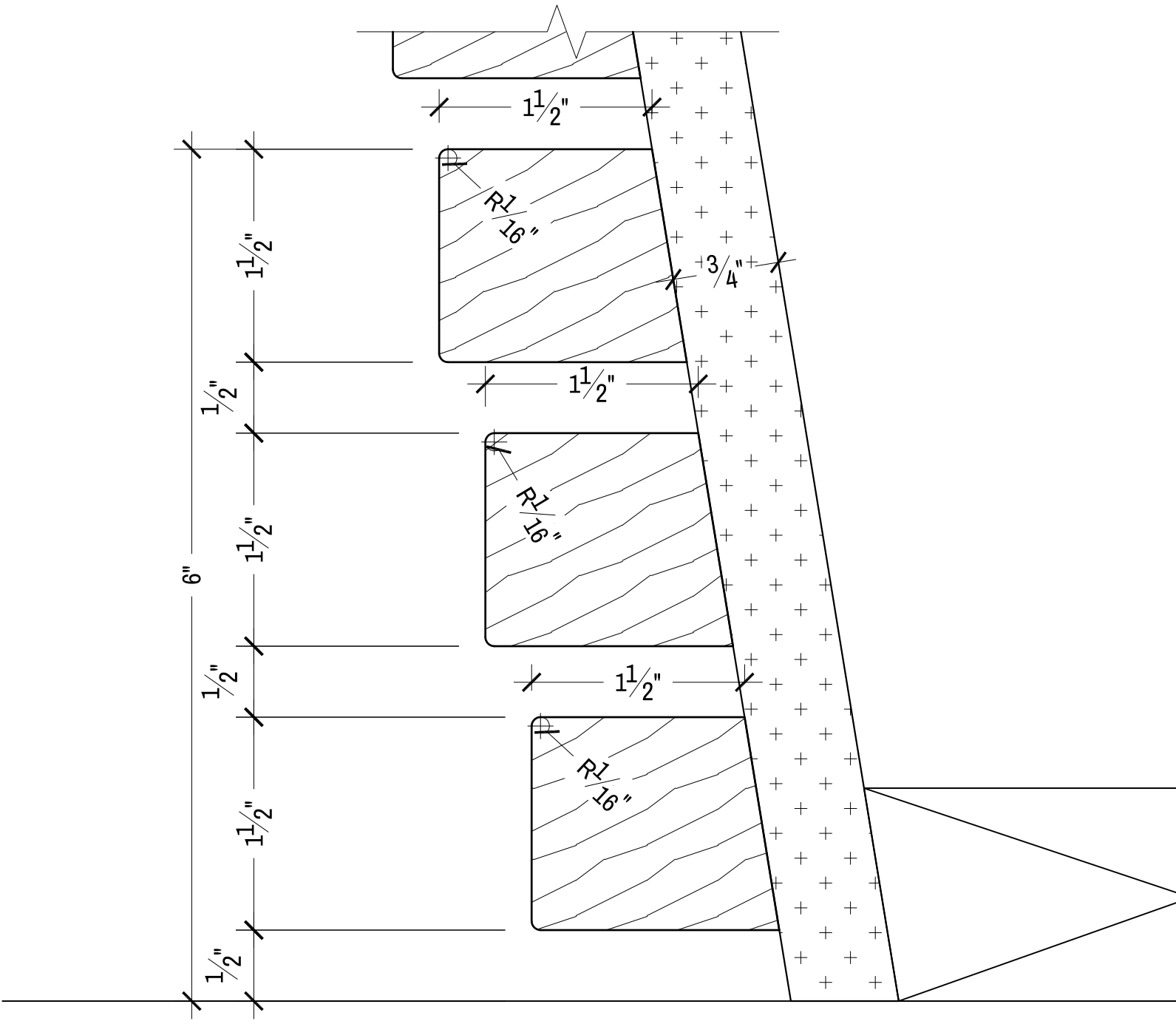
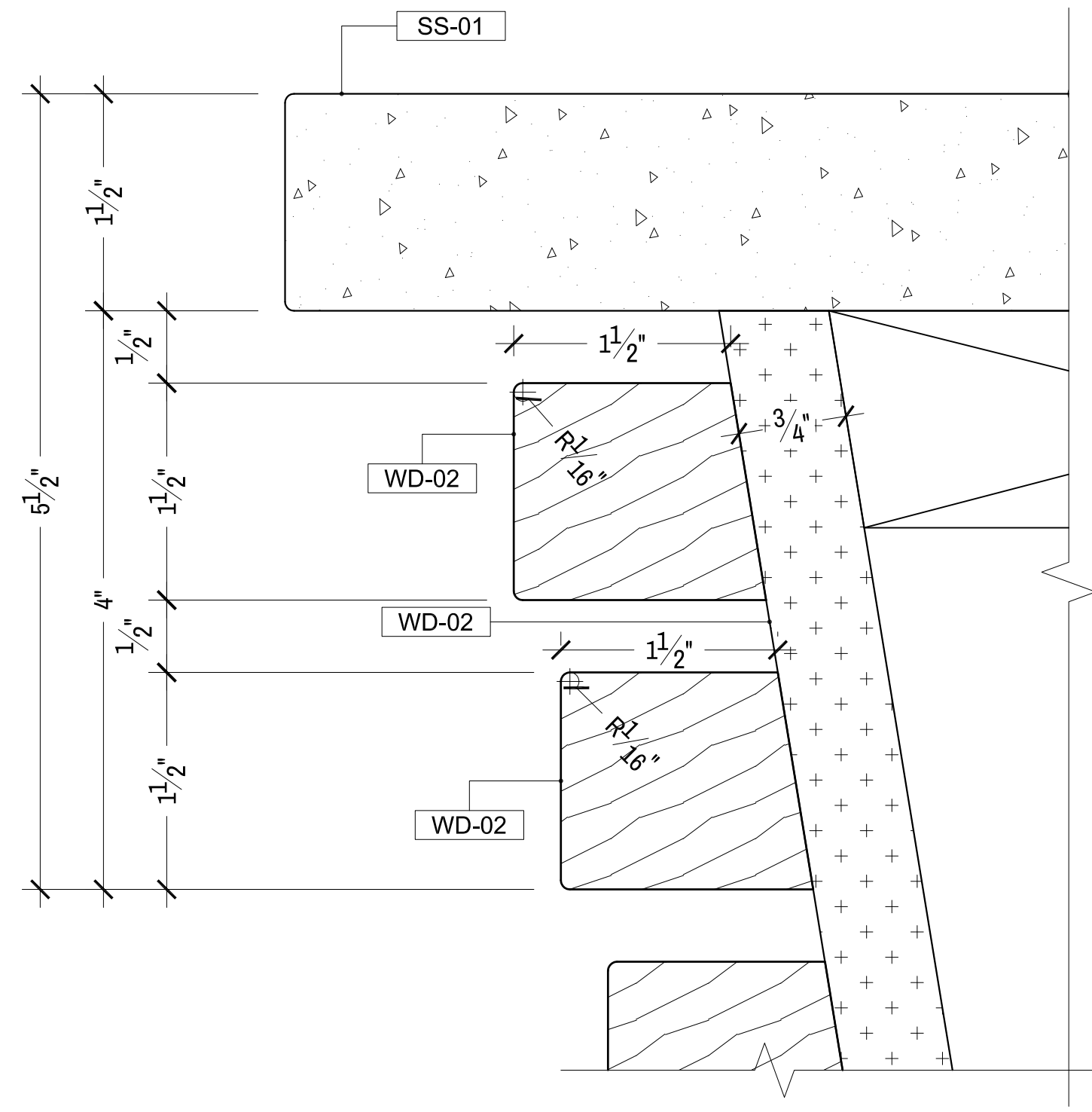
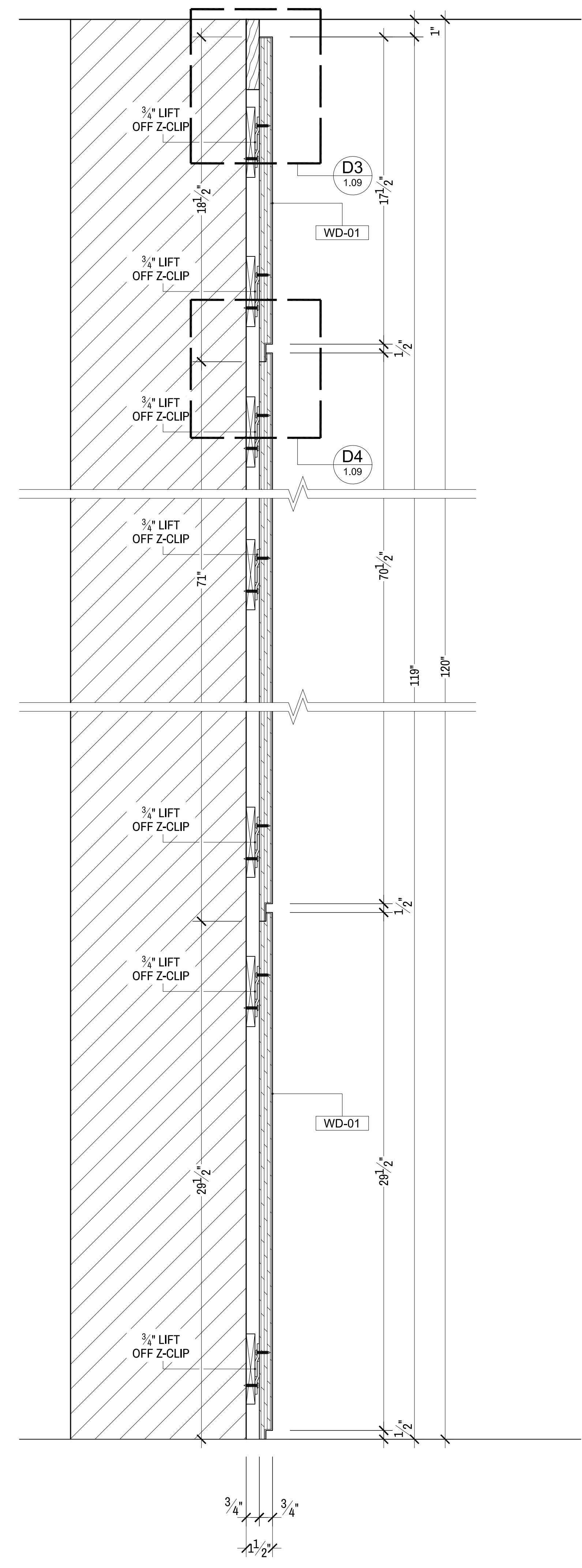
ARCHITECT ADDRESS

DESIGNER:

DESIGNER ADDRESS

REVISION/DATE:	FOR:	DRAWN BY:
1 00/00/00	FOR SUBMITTAL	DA
2		
3		
4		
5		

JOB NO:	PAGE:
SCALE: AS SHOWN	1.09
DATE: 00/00/00	



**S7 ELEVATION**  
 SCALE: 1'-0"=3"  
 RECEPTION RECEPTION 105

**D2 DETAIL**  
 SCALE: FULL  
 RECEPTION RECEPTION 105

**D1 DETAIL**  
 SCALE: FULL  
 RECEPTION RECEPTION 105

**D3 DETAIL**  
 SCALE: FULL  
 RECEPTION RECEPTION 105

**D4 DETAIL**  
 SCALE: FULL  
 RECEPTION RECEPTION 105