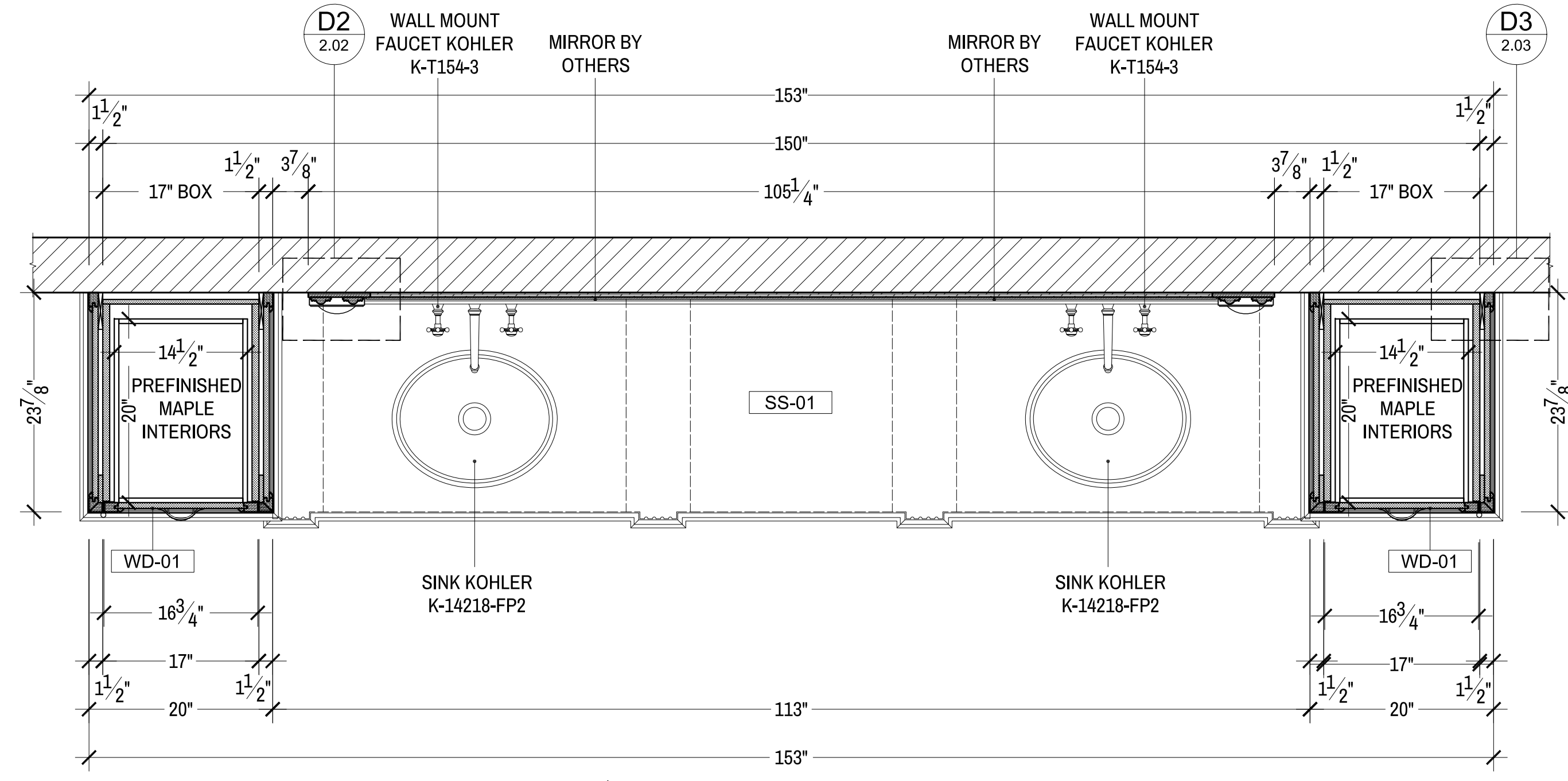
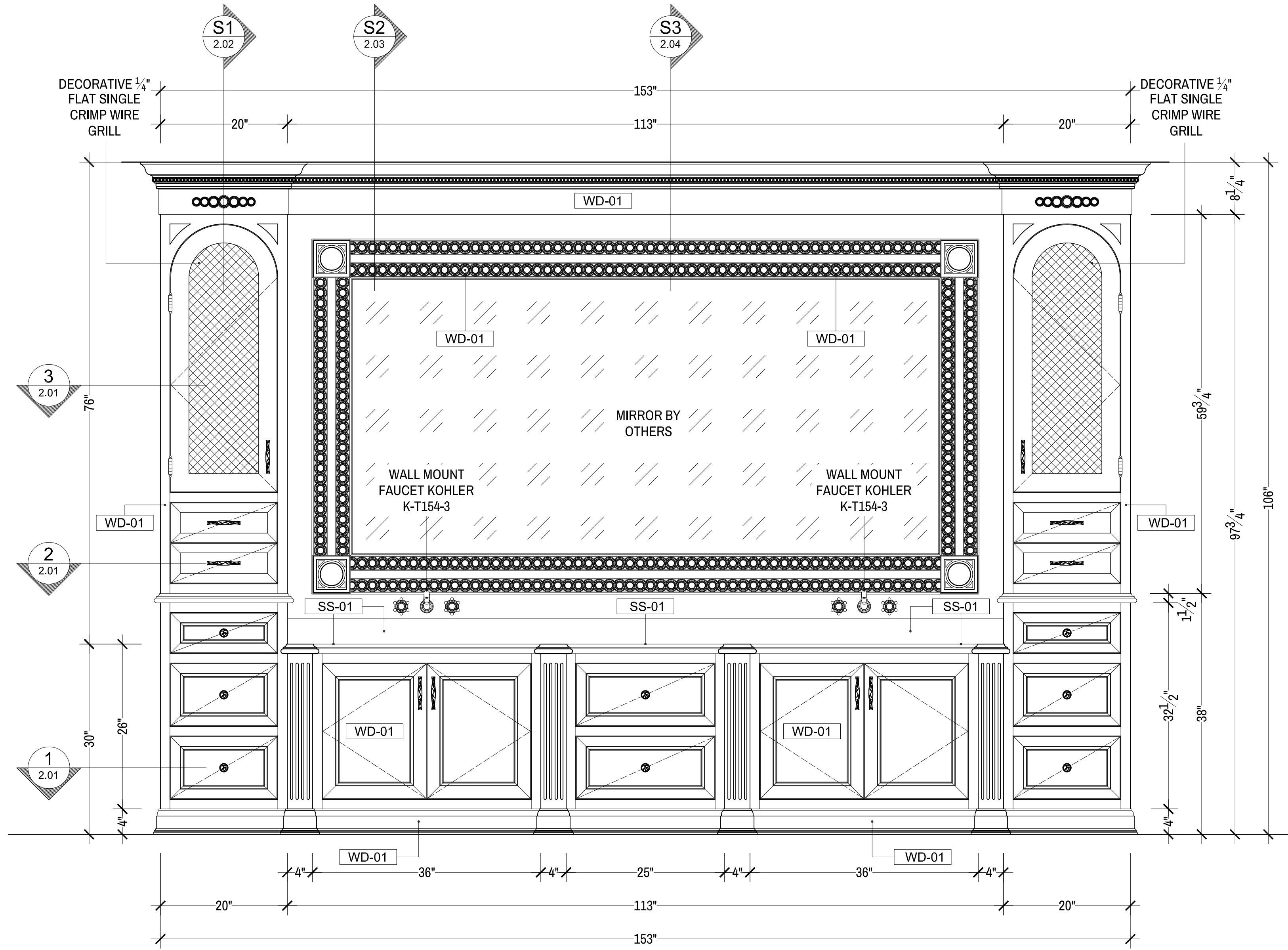


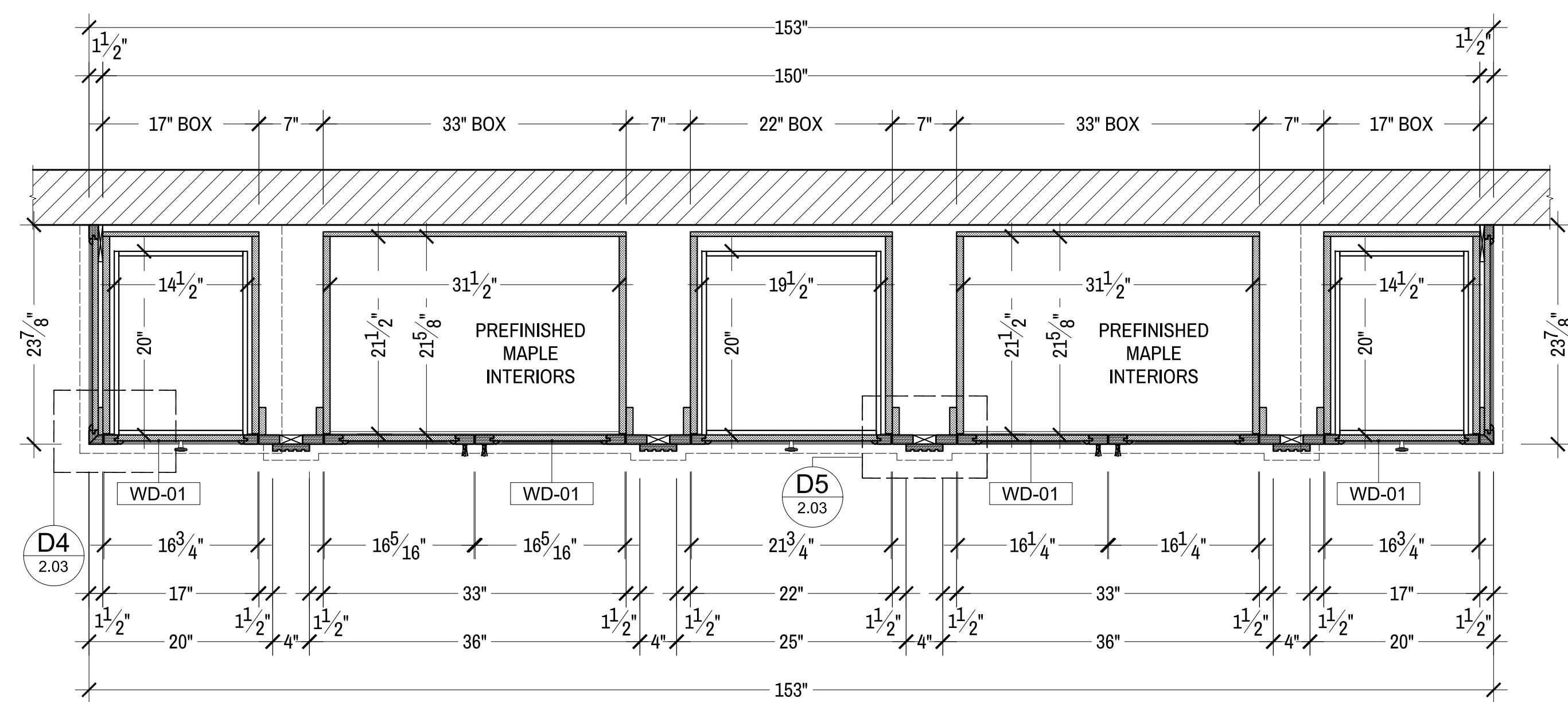
3 PLAN SECTION
 SCALE: 1"=1'-0" BATH 100



2 PLAN SECTION
 SCALE: 1"=1'-0" BATH 100



A ELEVATION
 SCALE: 1"=1'-0" BATH 100



1 PLAN SECTION
 SCALE: 1"=1'-0" BATH 100

MATERIAL SCHEDULE

WD-01	SHOP PRIMED
SS-01	STONE TOP BY OTHERS

HARDWARE SCHEDULE

H-1	BUT HINGE
H-2	ACCURIDE SIDE MOUNT DRAWER SLIDE 3307
H-3	SHELF SUPPORT

GENERAL NOTE:

PROJECT:

PROJECT ADDRESS

ARCHITECT:

ARCHITECT ADDRESS

DESIGNER:

DESIGNER ADDRESS

REVISION/DATE:	FOR:	DRAWN BY:
1 00/00/00	FOR SUBMITTAL	TA
2		
3		
4		
5		

JOB NO:	PAGE:
SCALE: AS SHOWN	2.01
DATE: 00/00/00	

MATERIAL SCHEDULE

WD-01	SHOP PRIMED
SS-01	STONE TOP BY OTHERS

HARDWARE SCHEDULE

H-1	BUT HINGE
H-2	ACCURIDE SIDE MOUNT DRAWER SLIDE 3507
H-3	SHELF SUPPORT

GENERAL NOTE:

PROJECT:

PROJECT ADDRESS

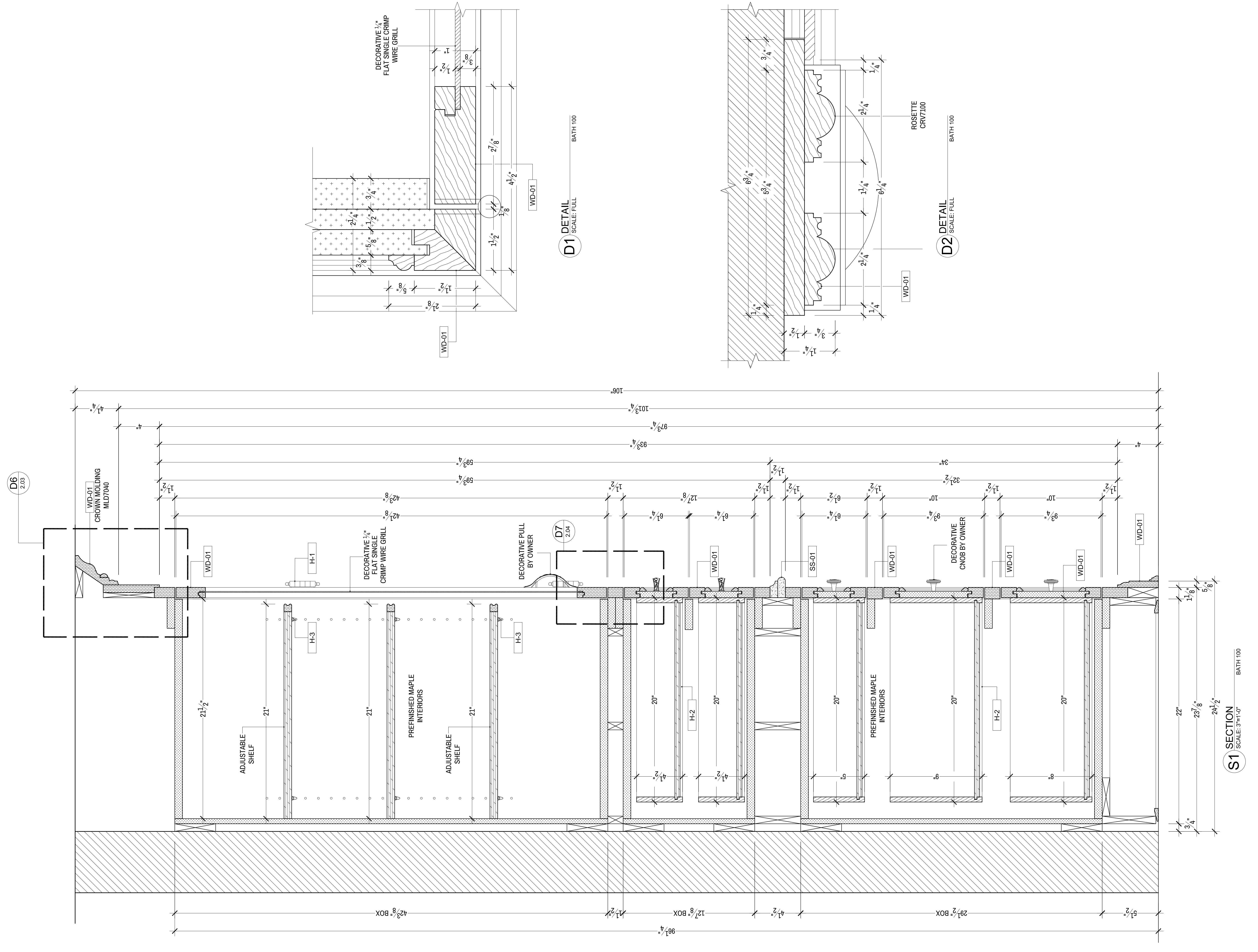
ARCHITECT:

ARCHITECT ADDRESS

DESIGNER:

DESIGNER ADDRESS

REVISION/DATE:	FOR:	DRAWN BY:
1 00/00/00	FOR SUBMITTAL	TA
2		
3		
4		
5		
JOB NO: 00/00/00		PAGE: 2.02
SCALE: AS SHOWN		
DATE: 00/00/00		



D1 DETAIL
SCALE: FULL
BATH 100

D2 DETAIL
SCALE: FULL
BATH 100

D6
2.03

D7
2.04

S1 SECTION
SCALE: 3/16"=1'-0"
BATH 100

MATERIAL SCHEDULE

WD-01	SHOP PRIMED
SS-01	STONE TOP BY OTHERS

HARDWARE SCHEDULE

H-1	BUT HINGE
H-2	ACCURIDE SIDE MOUNT DRAWER SLIDE 3307
H-3	SHELF SUPPORT

GENERAL NOTE:

PROJECT:

PROJECT ADDRESS

ARCHITECT:

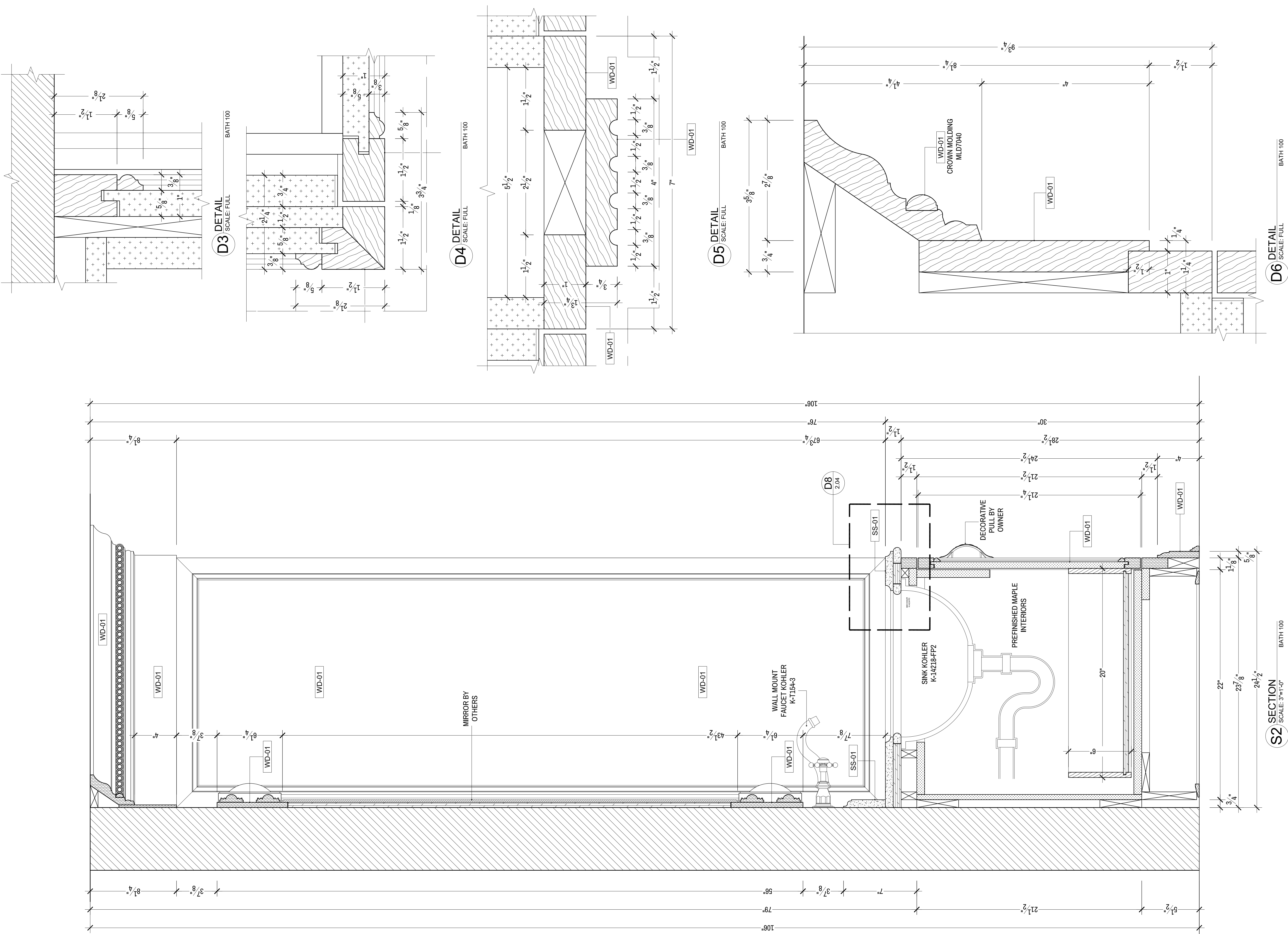
ARCHITECT ADDRESS

DESIGNER:

DESIGNER ADDRESS

REVISION/DATE:	FOR:	DRAWN BY:
1 00/00/00	FOR SUBMITTAL	TA
2		
3		
4		
5		

JOB NO:	PAGE:
SCALE: AS SHOWN	2.03
DATE: 00/00/00	



D3 DETAIL
 SCALE: FULL
 BATH 100

D4 DETAIL
 SCALE: FULL
 BATH 100

D5 DETAIL
 SCALE: FULL
 BATH 100

D6 DETAIL
 SCALE: FULL
 BATH 100

S2 SECTION
 SCALE: 3/4"=1'-0"
 BATH 100

MATERIAL SCHEDULE

WD-01	SHOP PRIMED
SS-01	STONE TOP BY OTHERS

HARDWARE SCHEDULE

H-1	BUT HINGE
H-2	ACCURIDE SIDE MOUNT DRAWER SLIDE 3307
H-3	SHELF SUPPORT

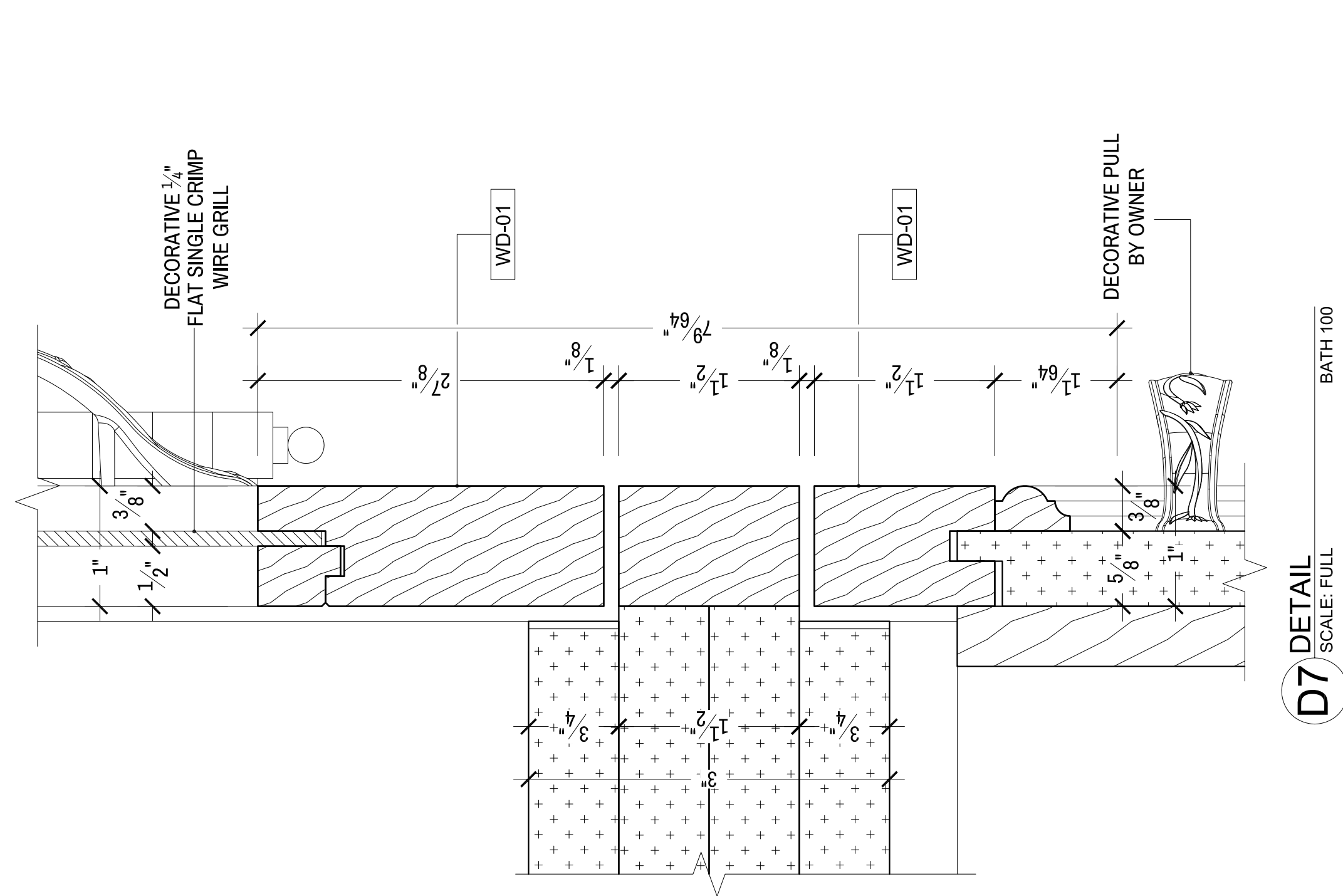
GENERAL NOTE:

PROJECT:
PROJECT ADDRESS
ARCHITECT:
ARCHITECT ADDRESS
DESIGNER:
DESIGNER ADDRESS

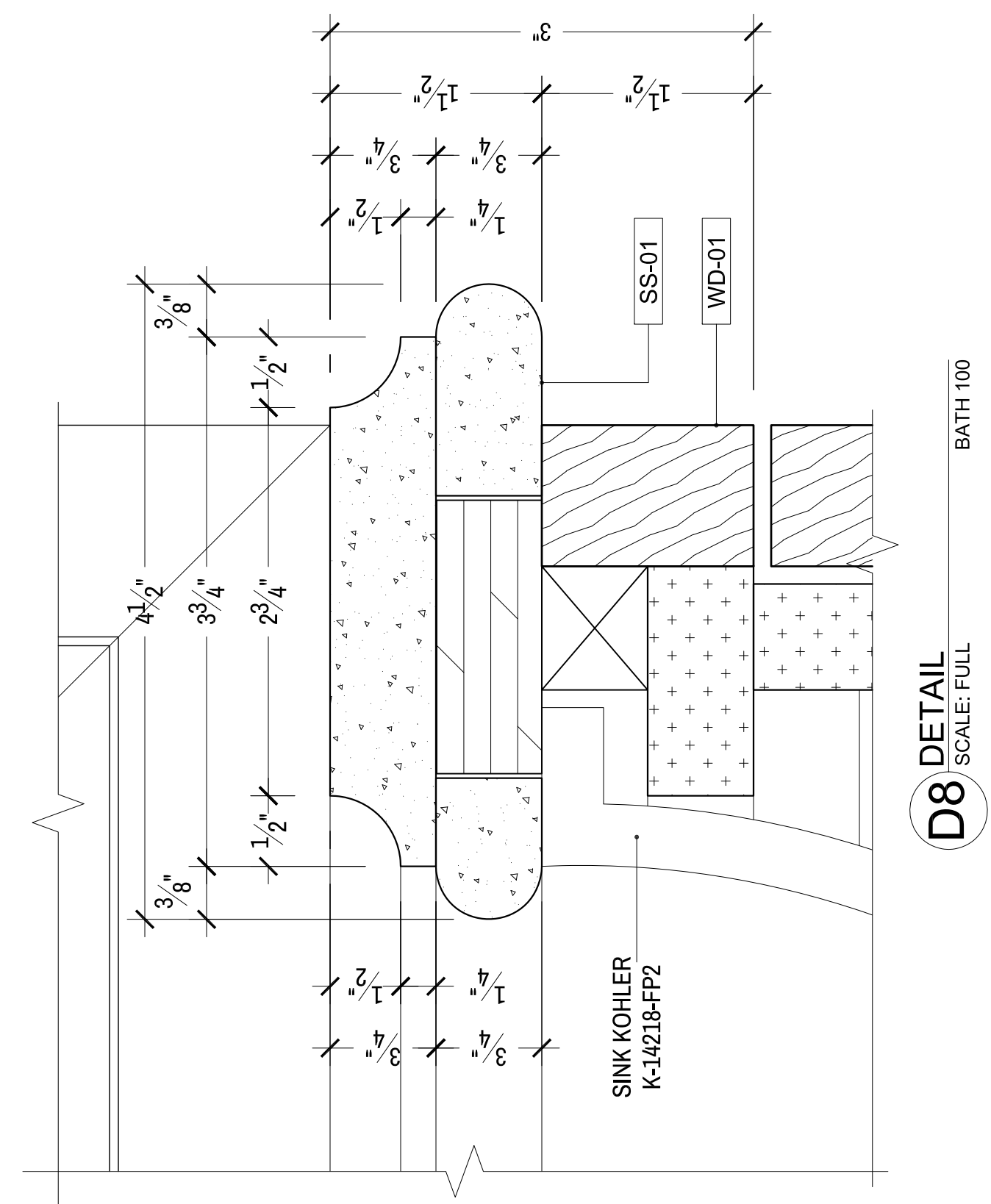
REVISION/DATE:
1 00/00/00 FOR: FOR SUBMITTAL DRAWN BY: TA
2
3
4
5

JOB NO:
SCALE: AS SHOWN
DATE: 00/00/00

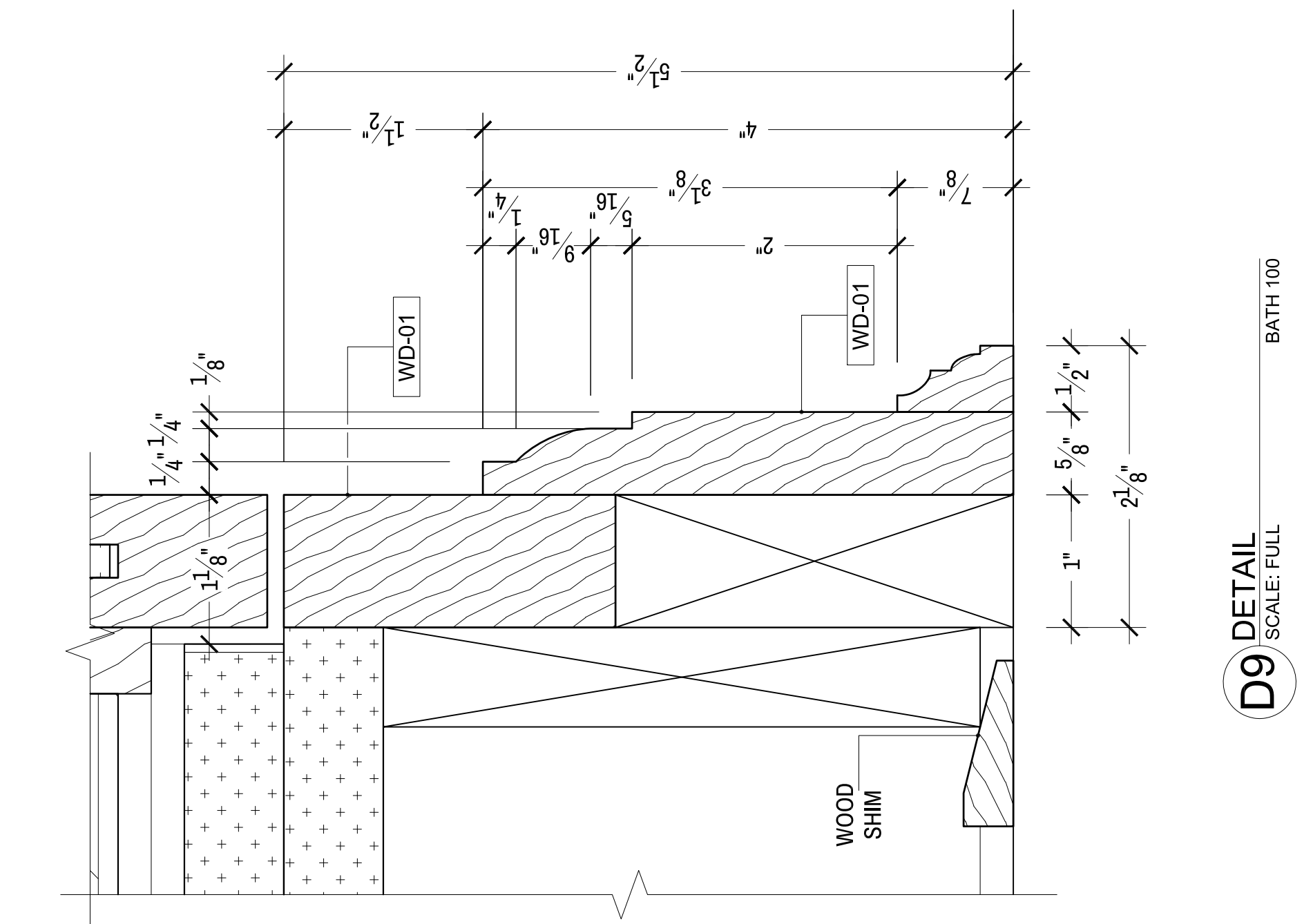
PAGE:
2.04



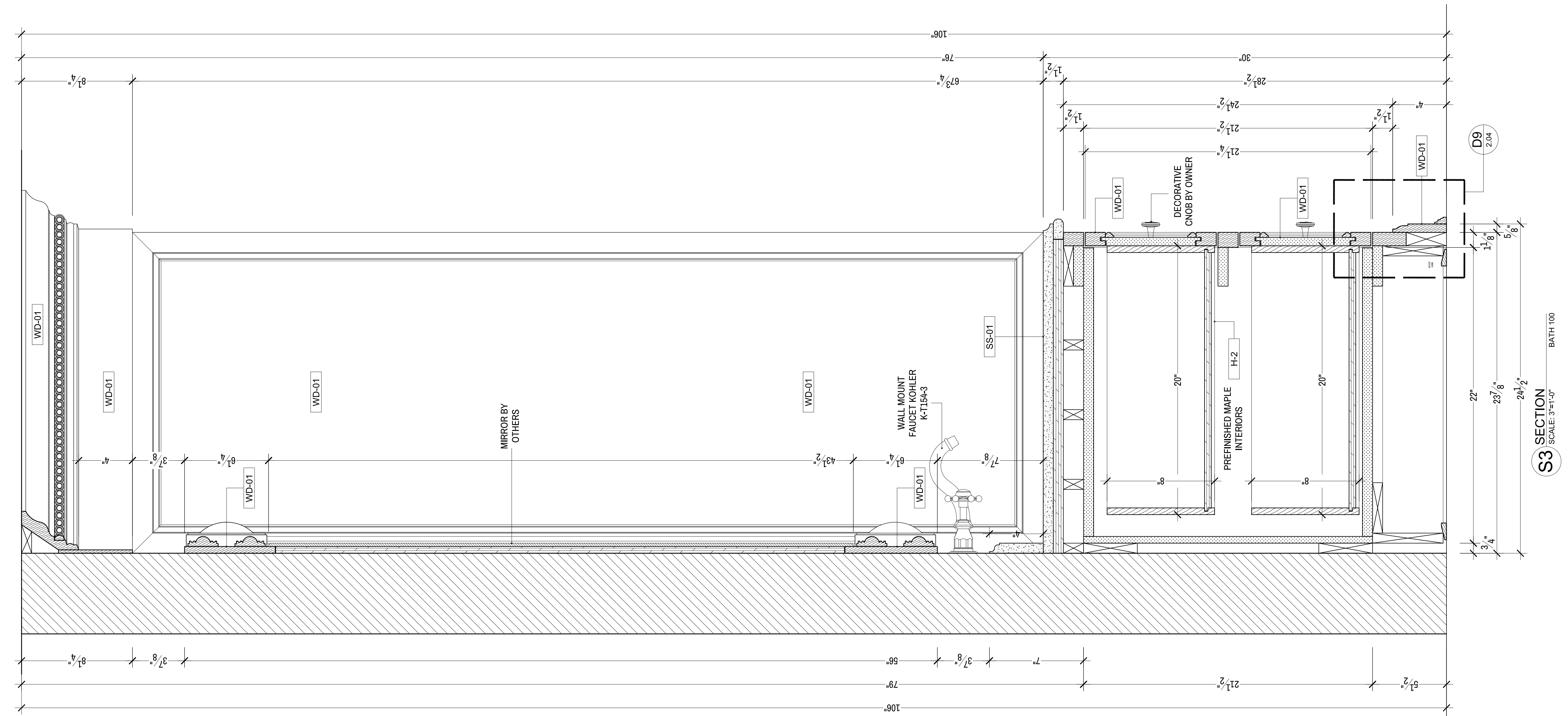
D7 DETAIL
SCALE: FULL
BATH 100



D8 DETAIL
SCALE: FULL
BATH 100



D9 DETAIL
SCALE: FULL
BATH 100



S3 SECTION
SCALE: 3/16\"/>