

**MATERIAL SCHEDULE**

LQ-01	LACQUER WOOD, COLOR: DARK WALNUT
ST-01	STONE TOP BY OTHERS

**HARDWARE SCHEDULE**

H-1	BLUM INSERT DOOR HINGE #71T9790B
H-2	BLUM UNDER MOUNT DRAWER SLIDE #563.4570B
H-3	GLASS SHELF SUPPORT, HAFELE #282.24.730

**GENERAL NOTE:**

ALL EQUIPMENT SHOULD BE REVIEWED.

PROJECT:

PROJECT ADDRESS

ARCHITECT:

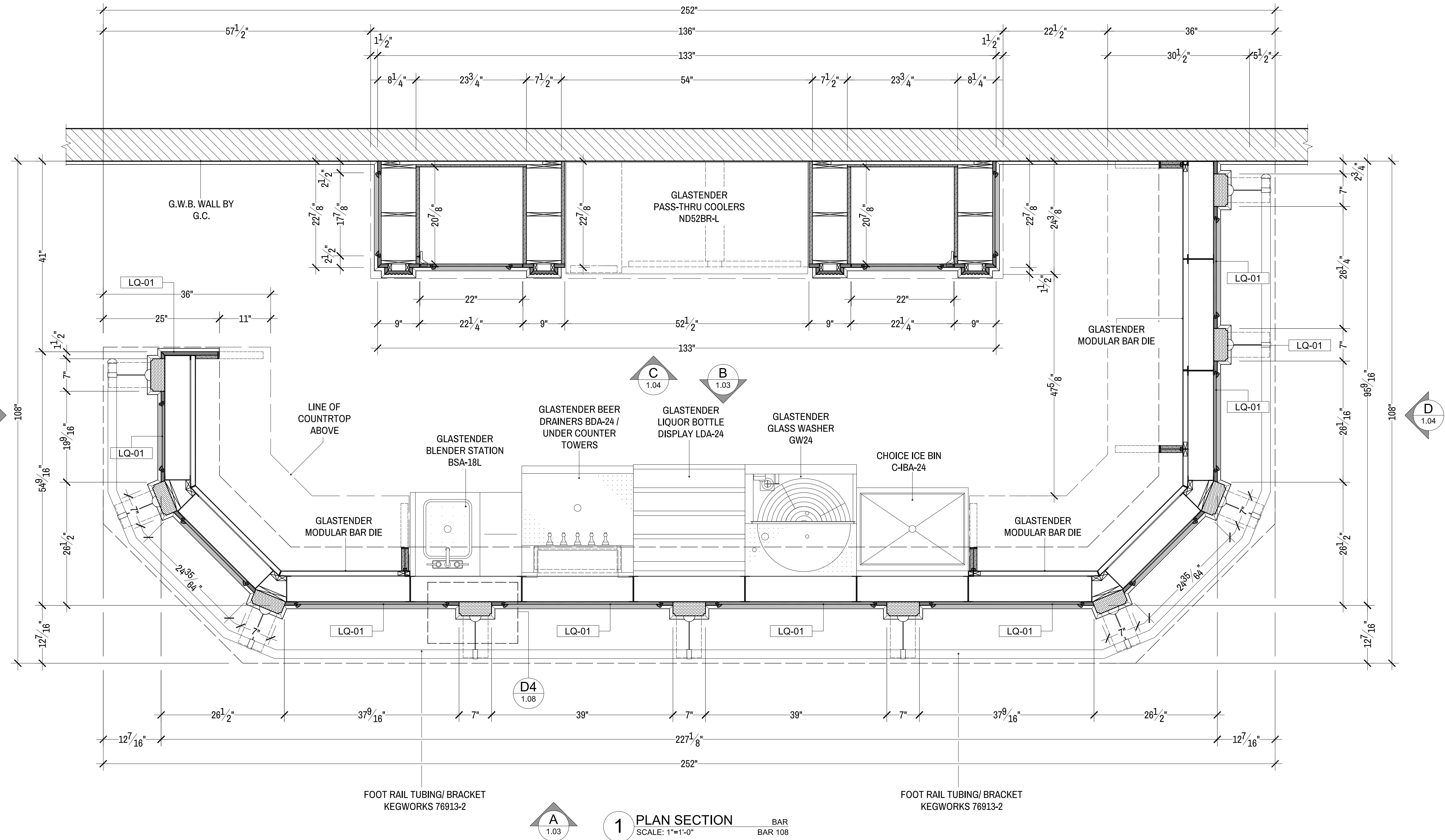
ARCHITECT ADDRESS

DESIGNER:

DESIGNER ADDRESS

REVISION/ DATE:	FOR:	DRAWN BY:
1 00/00/00	FOR SUBMITTAL	MA
2		
3		
4		
5		

JOB NO:	PAGE:
SCALE: AS SHOWN	1.01
DATE: 00/00/00	



**MATERIAL SCHEDULE**

LQ-01 LACQUER WOOD, COLOR: DARK WALNUT

ST-01 STONE TOP BY OTHERS

**HARDWARE SCHEDULE**

H-1 BLUM INSERT DOOR HINGE #71T9790B

H-2 BLUM UNDER MOUNT DRAWER SLIDE #563.4570B

H-3 GLASS SHELF SUPPORT, HAFELE #282.24.730

**GENERAL NOTE:**

ALL EQUIPMENT SHOULD BE REVIEWED.

PROJECT:

PROJECT ADDRESS

ARCHITECT:

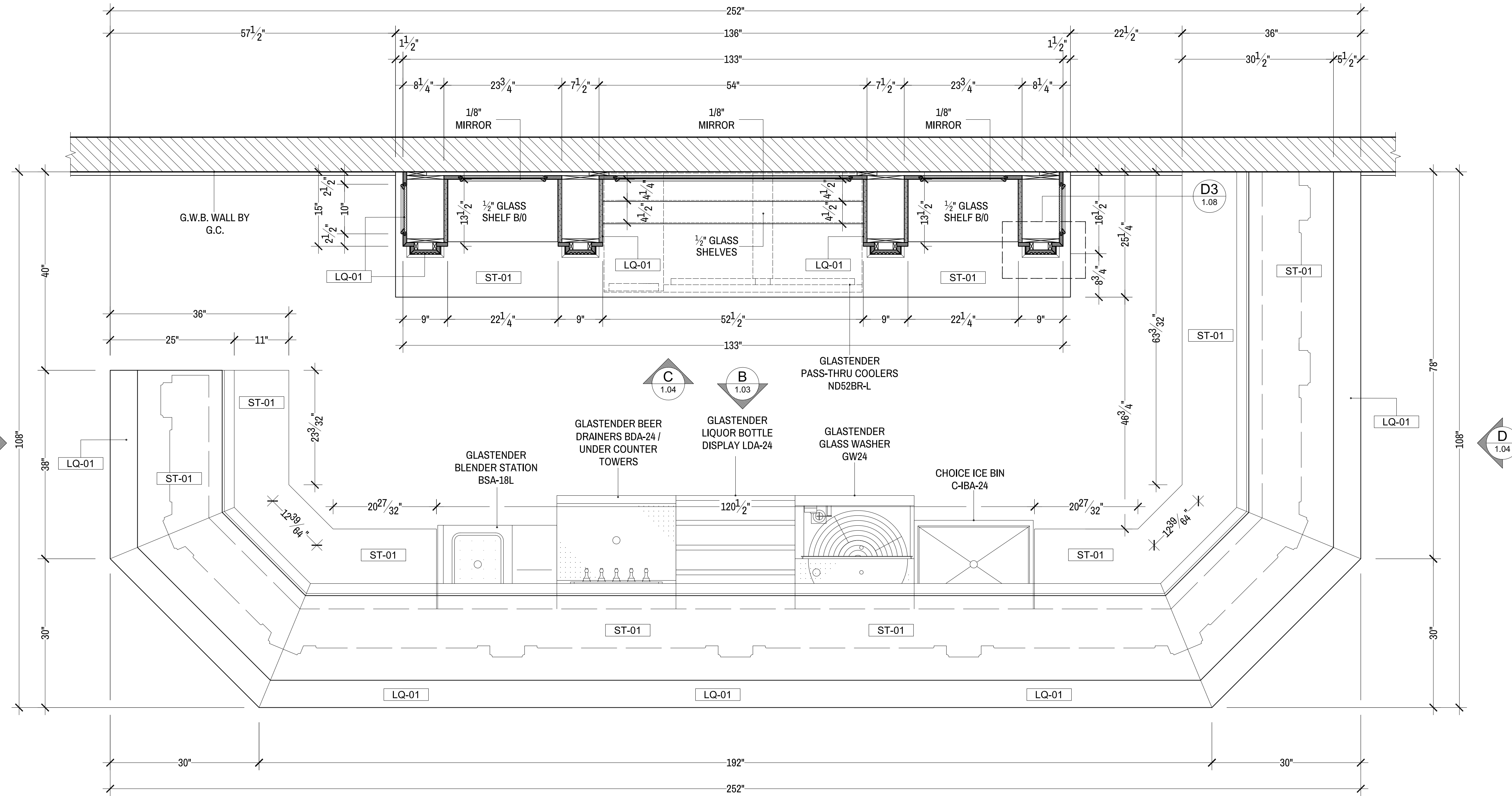
ARCHITECT ADDRESS

DESIGNER:

DESIGNER ADDRESS

REVISION/DATE:	FOR:	DRAWN BY:
1 00/00/00	FOR SUBMITTAL	MA
2		
3		
4		
5		

JOB NO: \_\_\_\_\_ PAGE: 1.02  
 SCALE: AS SHOWN  
 DATE: 00/00/00



**2 PLAN SECTION**  
 SCALE: 1"=1'-0"  
 BAR BAR 108

**MATERIAL SCHEDULE**

LQ-01 LACQUER WOOD, COLOR: DARK WALNUT

ST-01 STONE TOP BY OTHERS

**HARDWARE SCHEDULE**

H-1 BLUM INSERT DOOR HINGE #71T9790B

H-2 BLUM UNDER MOUNT DRAWER SLIDE #563.4570B

H-3 GLASS SHELF SUPPORT, HAFELE #282.24.750

**GENERAL NOTE:**

ALL EQUIPMENT SHOULD BE REVIEWED.

PROJECT:

PROJECT ADDRESS

ARCHITECT:

ARCHITECT ADDRESS

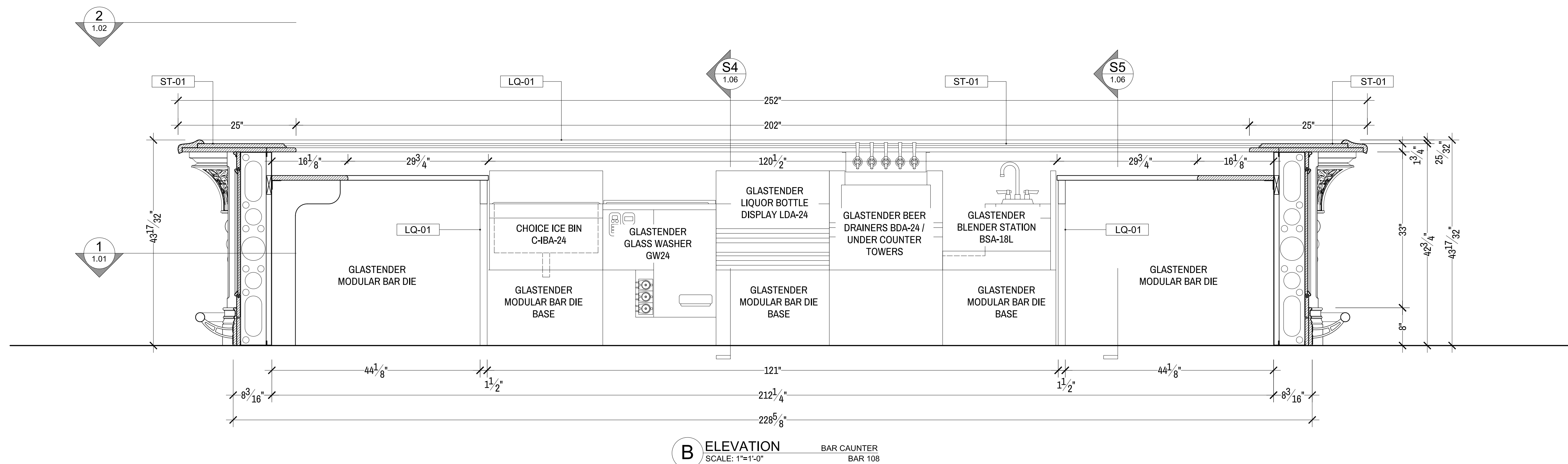
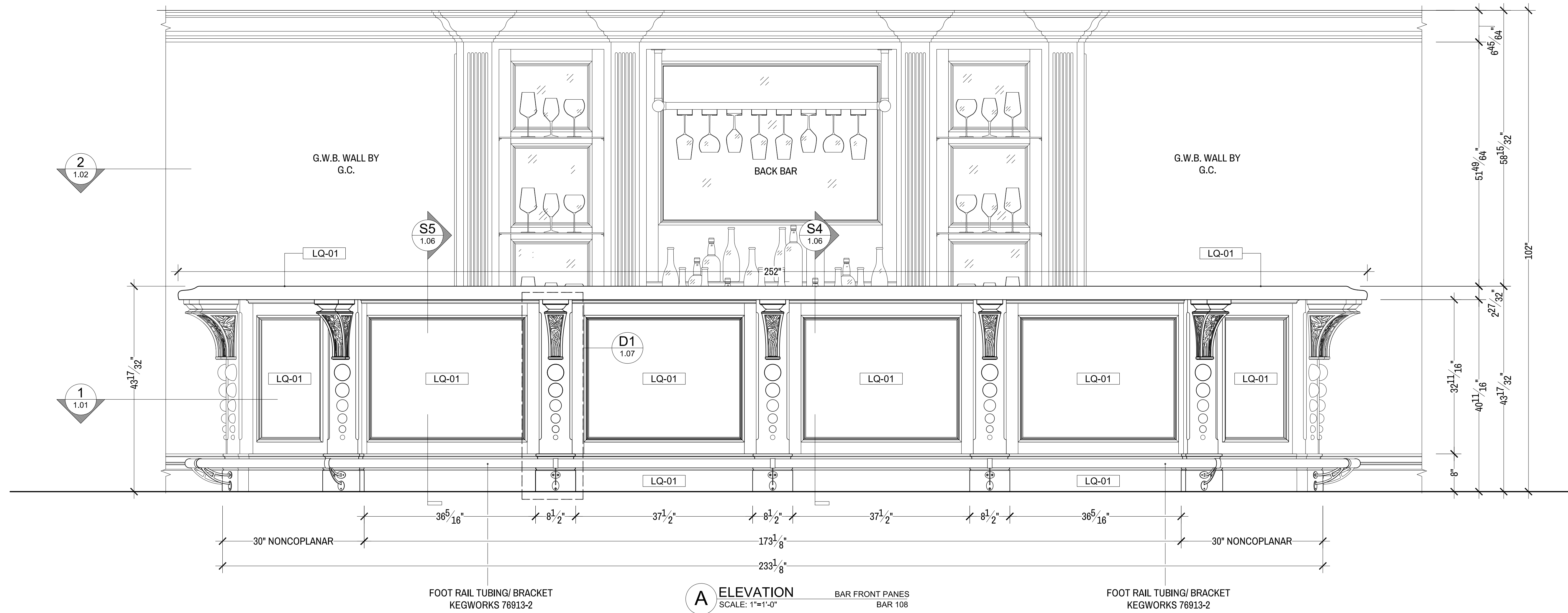
DESIGNER:

DESIGNER ADDRESS

REVISION/ DATE:	FOR:	DRAWN BY:
1 00/00/00	FOR SUBMITTAL	MA
2		
3		
4		
5		

JOB NO:	PAGE:
SCALE: AS SHOWN	1.03
DATE: 00/00/00	



**MATERIAL SCHEDULE**

LQ-01	LACQUER WOOD, COLOR: DARK WALNUT
ST-01	STONE TOP BY OTHERS

**HARDWARE SCHEDULE**

H-1	BLUM INSERT DOOR HINGE #71T9790B
H-2	BLUM UNDER MOUNT DRAWER SLIDE #563.4570B
H-3	GLASS SHELF SUPPORT, HAFELE #282.24.730

**GENERAL NOTE:**

ALL EQUIPMENT SHOULD BE REVIEWED.

PROJECT:

PROJECT ADDRESS

ARCHITECT:

ARCHITECT ADDRESS

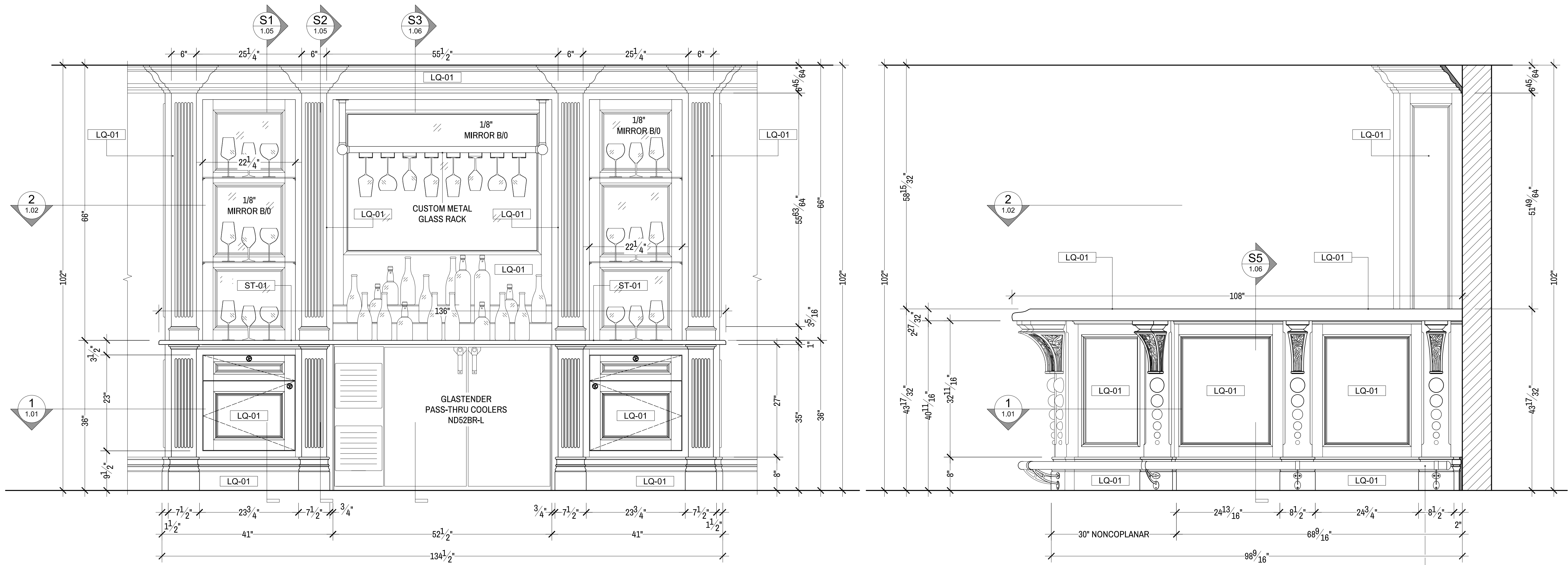
DESIGNER:

DESIGNER ADDRESS

REVISION/DATE:	FOR:	DRAWN BY:
1 00/00/00	FOR SUBMITTAL	MA
2		
3		
4		
5		

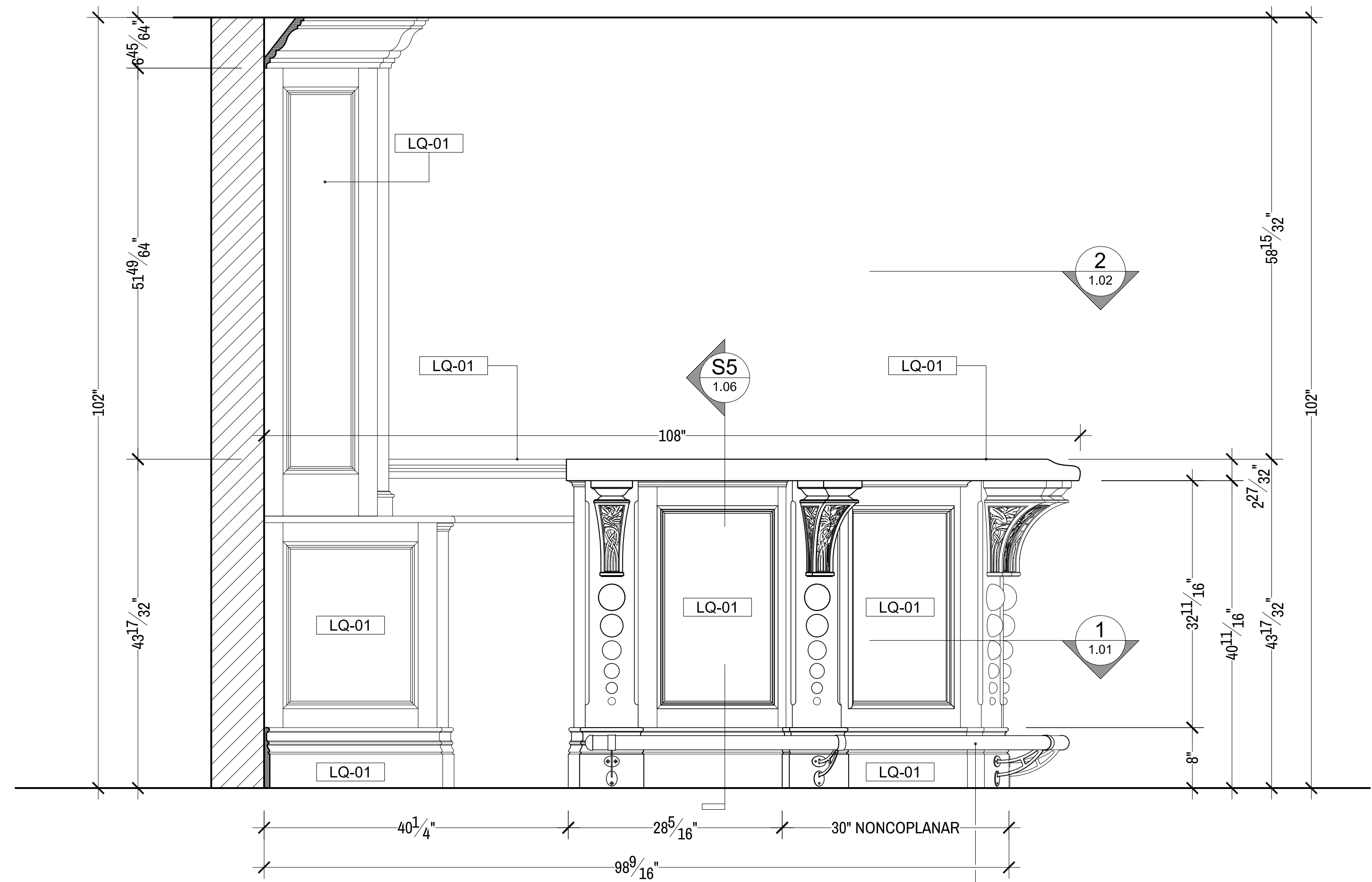
  

JOB NO:	PAGE:
SCALE: AS SHOWN	1.04
DATE: 00/00/00	



**C ELEVATION** BACK BAR  
SCALE: 1"=1'-0" BAR 108

**D ELEVATION** BAR FRONT PANES  
SCALE: 1"=1'-0" BAR 108 FOOT RAIL TUBING/ BRACKET KEGWORKS 76913-2



**E ELEVATION** BAR FRONT PANES  
SCALE: 1"=1'-0" BAR 108 FOOT RAIL TUBING/ BRACKET KEGWORKS 76913-2

**MATERIAL SCHEDULE**

LQ-01 LACQUER WOOD, COLOR: DARK WALNUT

ST-01 STONE TOP BY OTHERS

**HARDWARE SCHEDULE**

H-1 BLUM INSERT DOOR HINGE #71T9790B

H-2 BLUM UNDER MOUNT DRAWER SLIDE #563.4570B

H-3 GLASS SHELF SUPPORT, HAFELE #282.24.730

**GENERAL NOTE:**  
ALL EQUIPMENT SHOULD BE REVIEWED.

PROJECT:

PROJECT ADDRESS

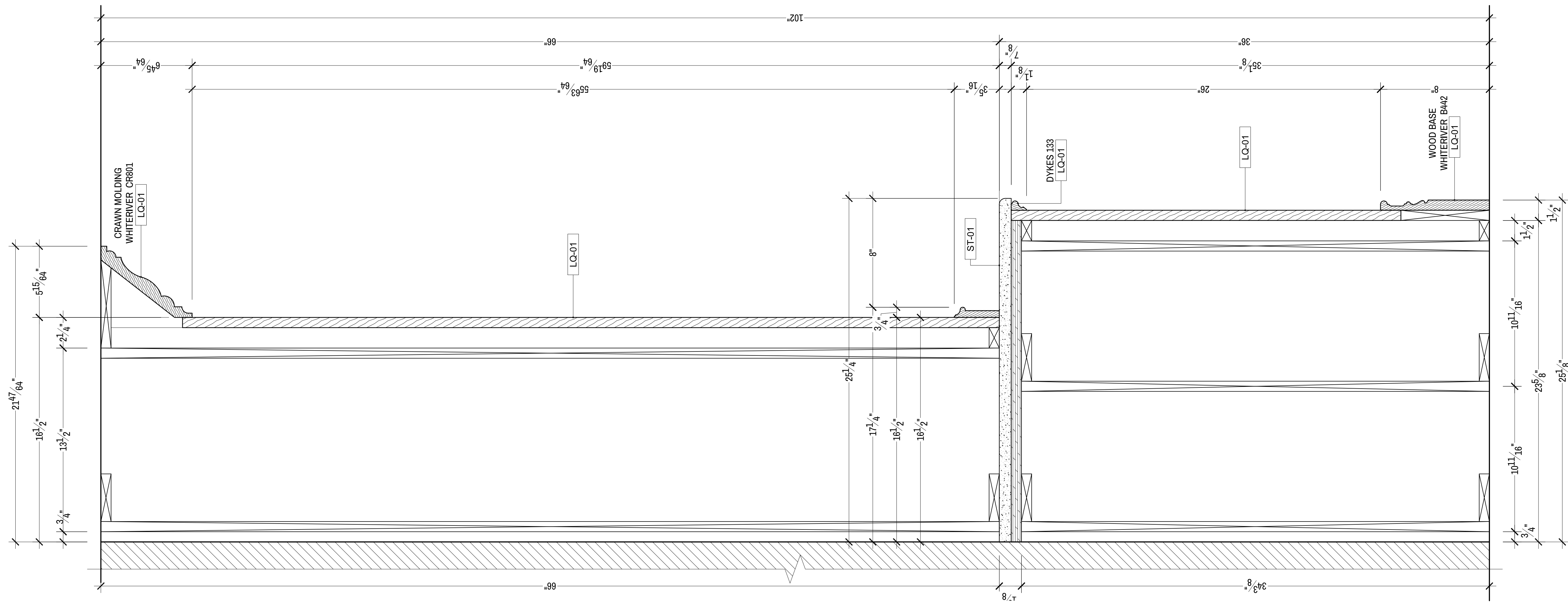
ARCHITECT:

ARCHITECT ADDRESS

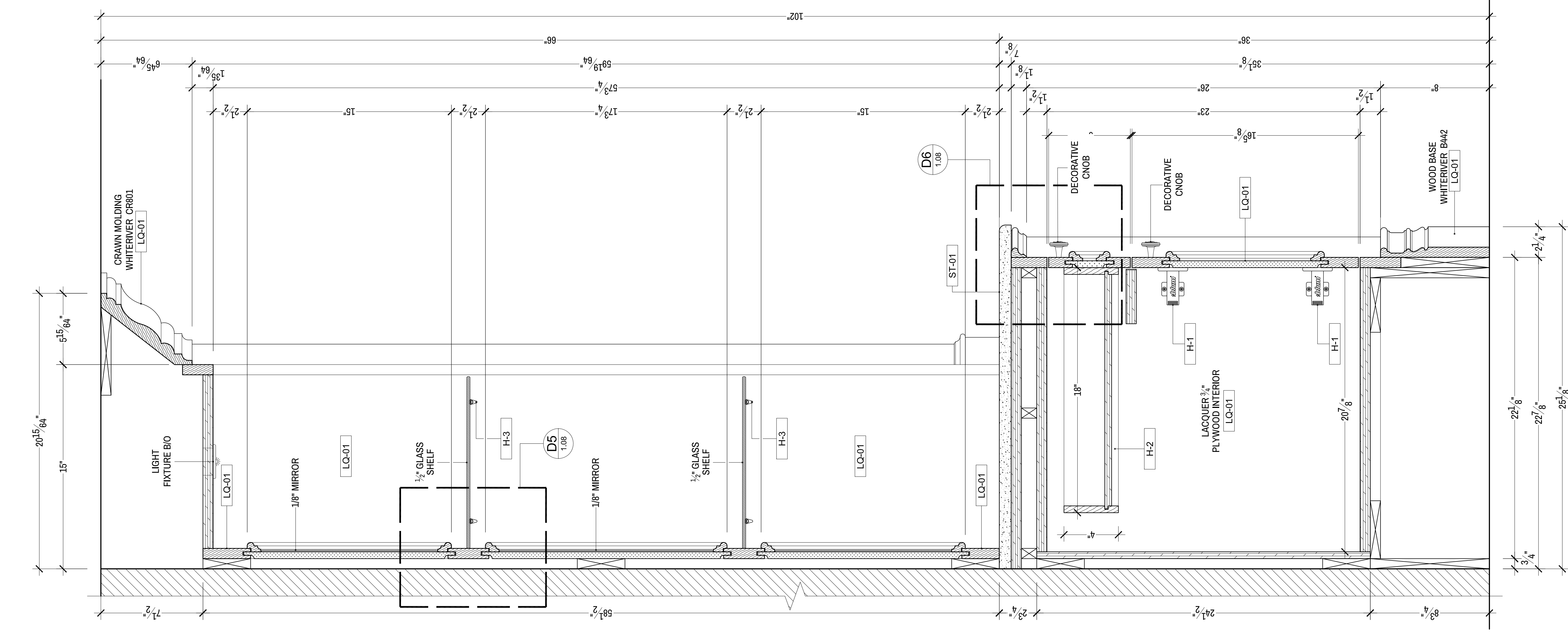
DESIGNER:

DESIGNER ADDRESS

REVISION/DATE:	FOR:	DRAWN BY:
1 00/00/00	FOR SUBMITTAL	MA
2		
3		
4		
5		



**S2 SECTION**  
SCALE: 3/4"=1'-0"  
BAR BAR 108



**S1 SECTION**  
SCALE: 3/4"=1'-0"  
BAR BAR 108

**MATERIAL SCHEDULE**

LQ-01 LACQUER WOOD, COLOR: DARK WALNUT

ST-01 STONE TOP BY OTHERS

**HARDWARE SCHEDULE**

H-1 BLUM INSERT DOOR HINGE #71T9790B

H-2 BLUM UNDER MOUNT DRAWER SLIDE #563.4570B

H-3 GLASS SHELF SUPPORT, HAFELE #282.24.730

**GENERAL NOTE:**

ALL EQUIPMENT SHOULD BE REVIEWED.

PROJECT:

PROJECT ADDRESS

ARCHITECT:

ARCHITECT ADDRESS

DESIGNER:

DESIGNER ADDRESS

REVISION/DATE:	FOR:	DRAWN BY:
1 00/00/00	FOR SUBMITTAL	MA
2		
3		
4		
5		

JOB NO:	SCALE:	PAGE:
	AS SHOWN	1.06

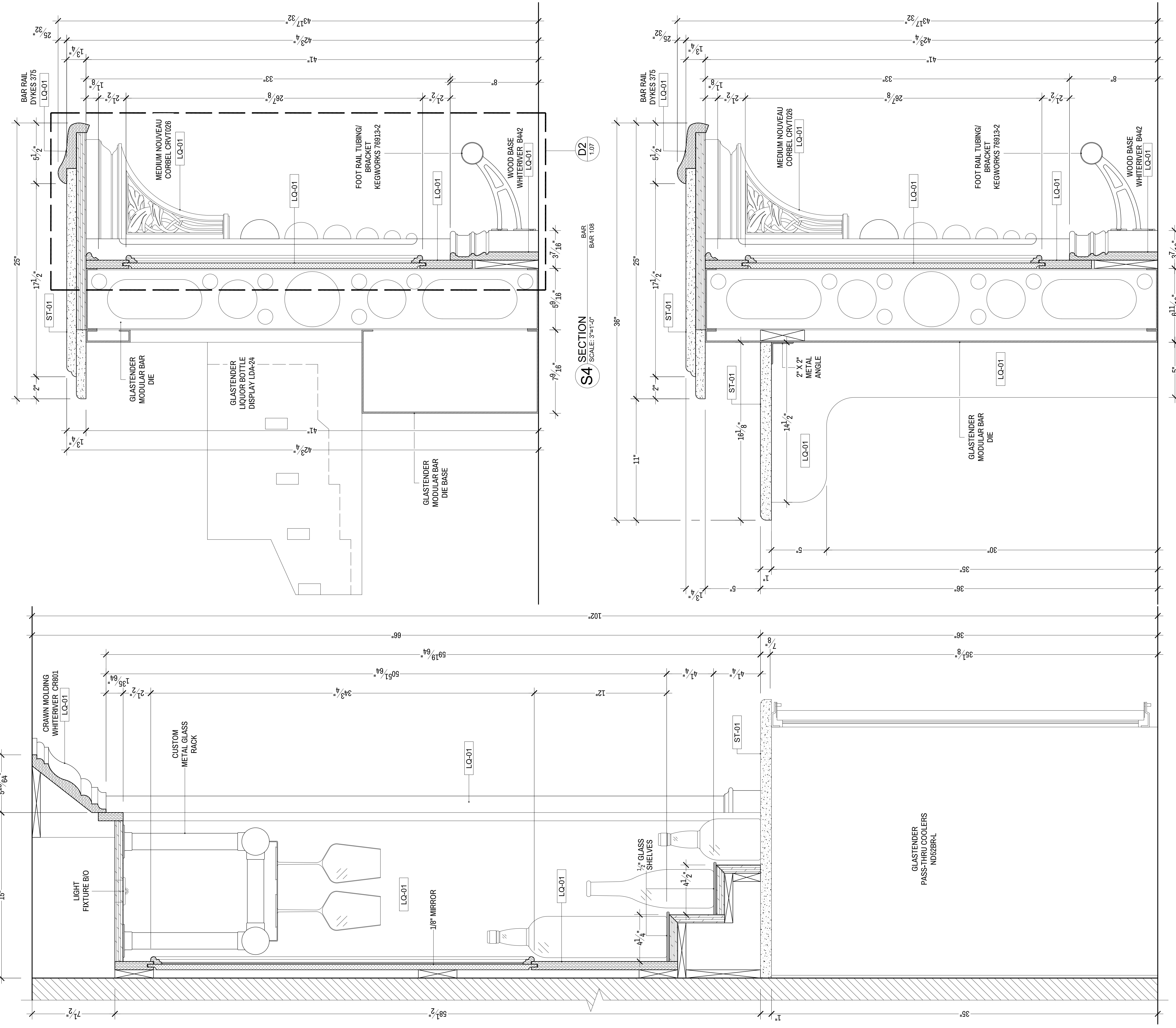
DATE: 00/00/00

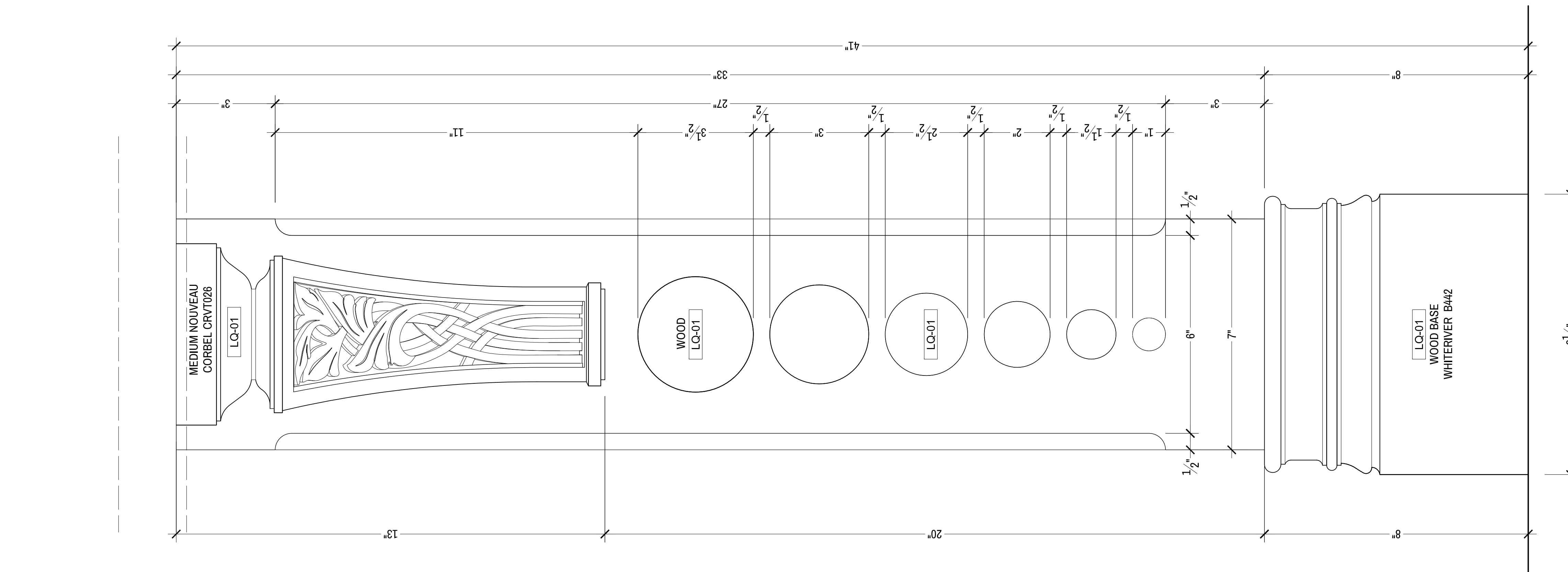
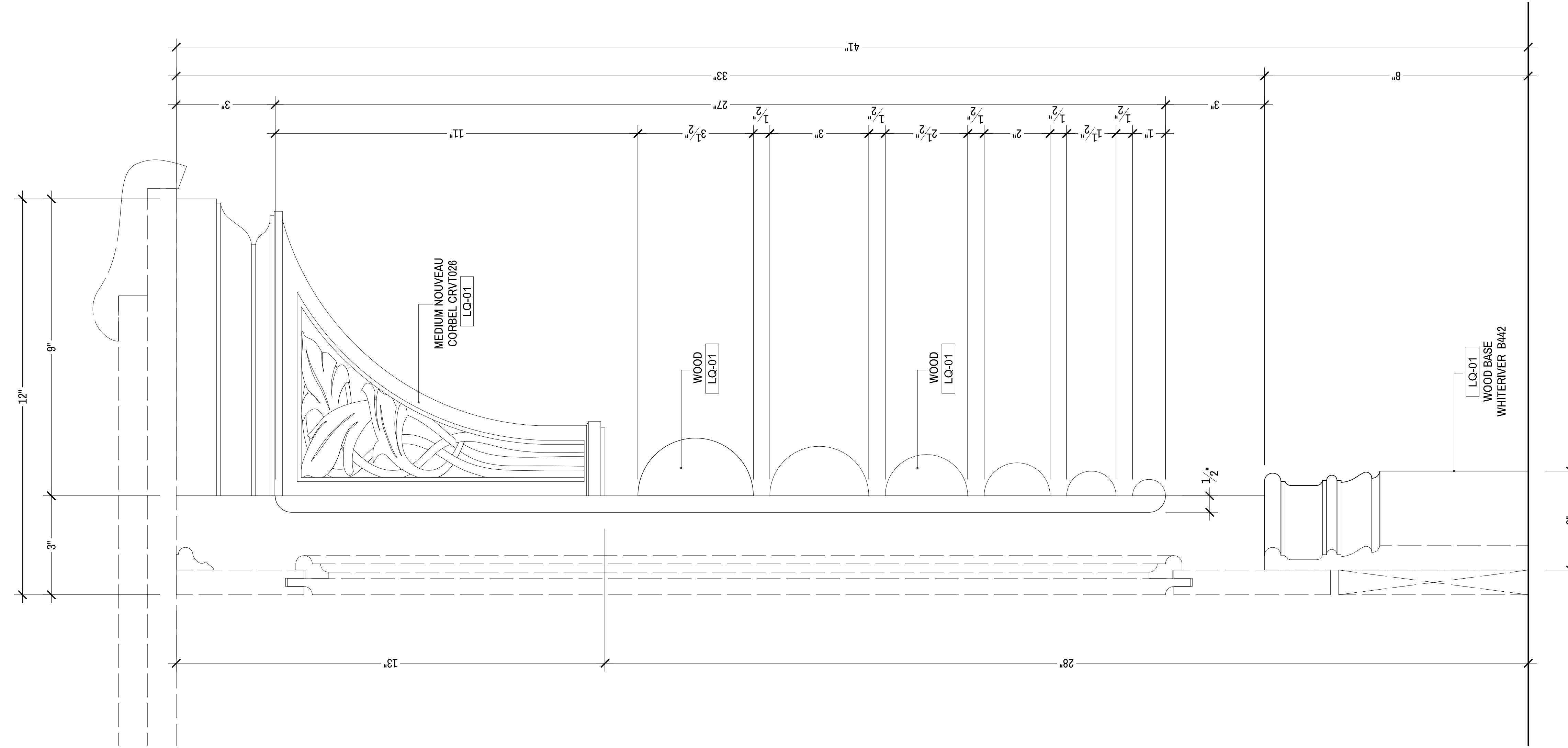
**S4 SECTION**  
 SCALE: 3/4"=1'-0"

**S5 SECTION**  
 SCALE: 3/4"=1'-0"

**S3 SECTION**  
 SCALE: 3/4"=1'-0"

**D2**  
 SCALE: 1/8"=1'-0"





D2 DETAIL  
 SCALE: HALF BAR 108

D1 DETAIL  
 SCALE: HALF BAR 108

**MATERIAL SCHEDULE**

LQ-01	LACQUER WOOD, COLOR: DARK WALNUT
ST-01	STONE TOP BY OTHERS

**HARDWARE SCHEDULE**

H-1	BLUM INSERT DOOR HINGE #71T9790B
H-2	BLUM UNDER MOUNT DRAWER SLIDE #563.4570B
H-3	GLASS SHELF SUPPORT, HAFELE #282.24.730

**GENERAL NOTE:**

ALL EQUIPMENT SHOULD BE REVIEWED.

PROJECT:

PROJECT ADDRESS

ARCHITECT:

ARCHITECT ADDRESS

DESIGNER:

DESIGNER ADDRESS

REVISION/DATE:	FOR:	DRAWN BY:
1 00/00/00	FOR SUBMITTAL	MA
2		
3		
4		
5		

JOB NO:	PAGE:
SCALE: AS SHOWN	1.07
DATE: 00/00/00	

**MATERIAL SCHEDULE**

LQ-01 LACQUER WOOD, COLOR: DARK WALNUT

ST-01 STONE TOP BY OTHERS

**HARDWARE SCHEDULE**

H-1 BLUM INSERT DOOR HINGE #71T9790B

H-2 BLUM UNDER MOUNT DRAWER SLIDE #563.4570B

H-3 GLASS SHELF SUPPORT, HAFELE #282.24.730

**GENERAL NOTE:**

ALL EQUIPMENT SHOULD BE REVIEWED.

PROJECT:

PROJECT ADDRESS

ARCHITECT:

ARCHITECT ADDRESS

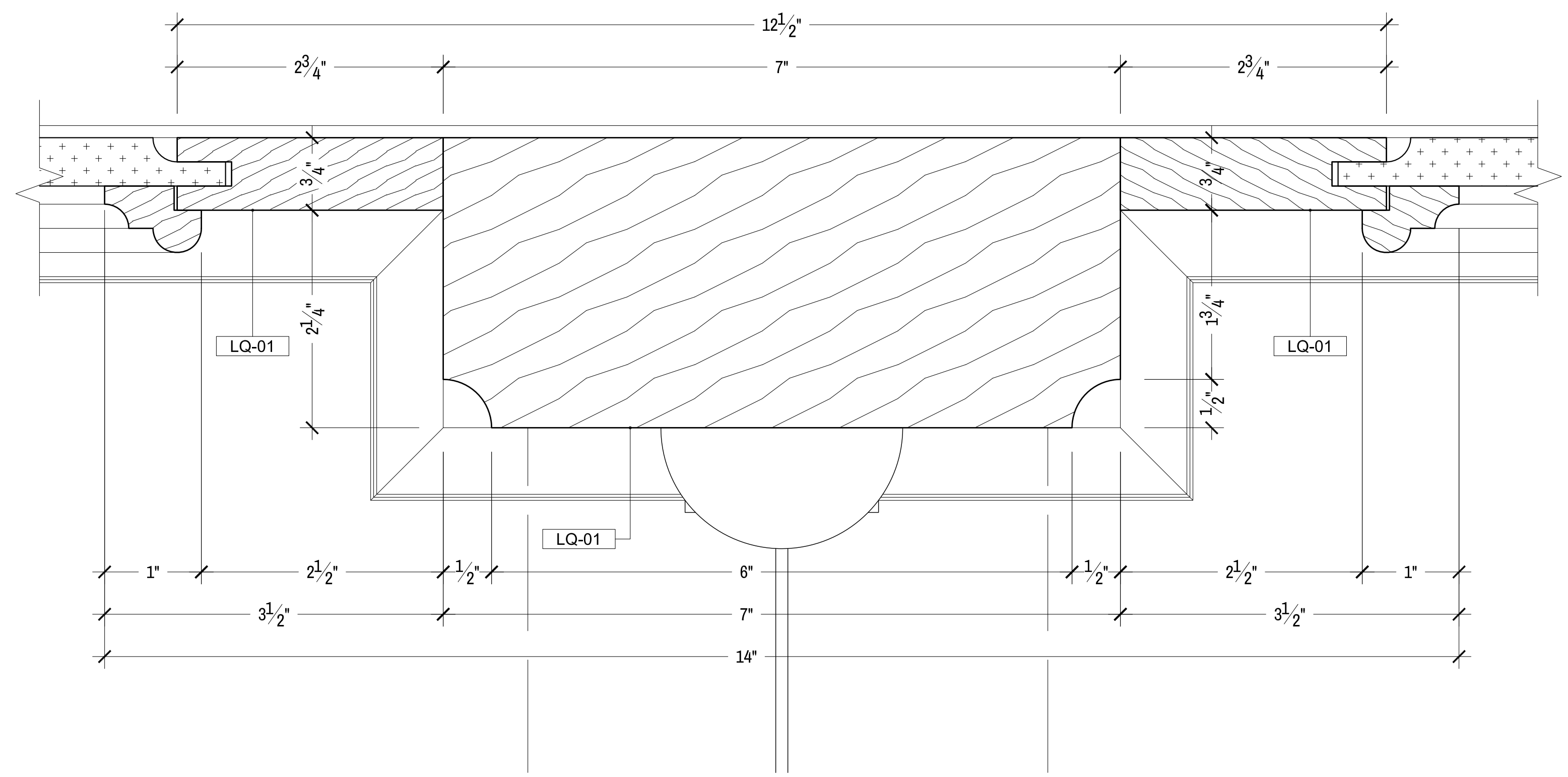
DESIGNER:

DESIGNER ADDRESS

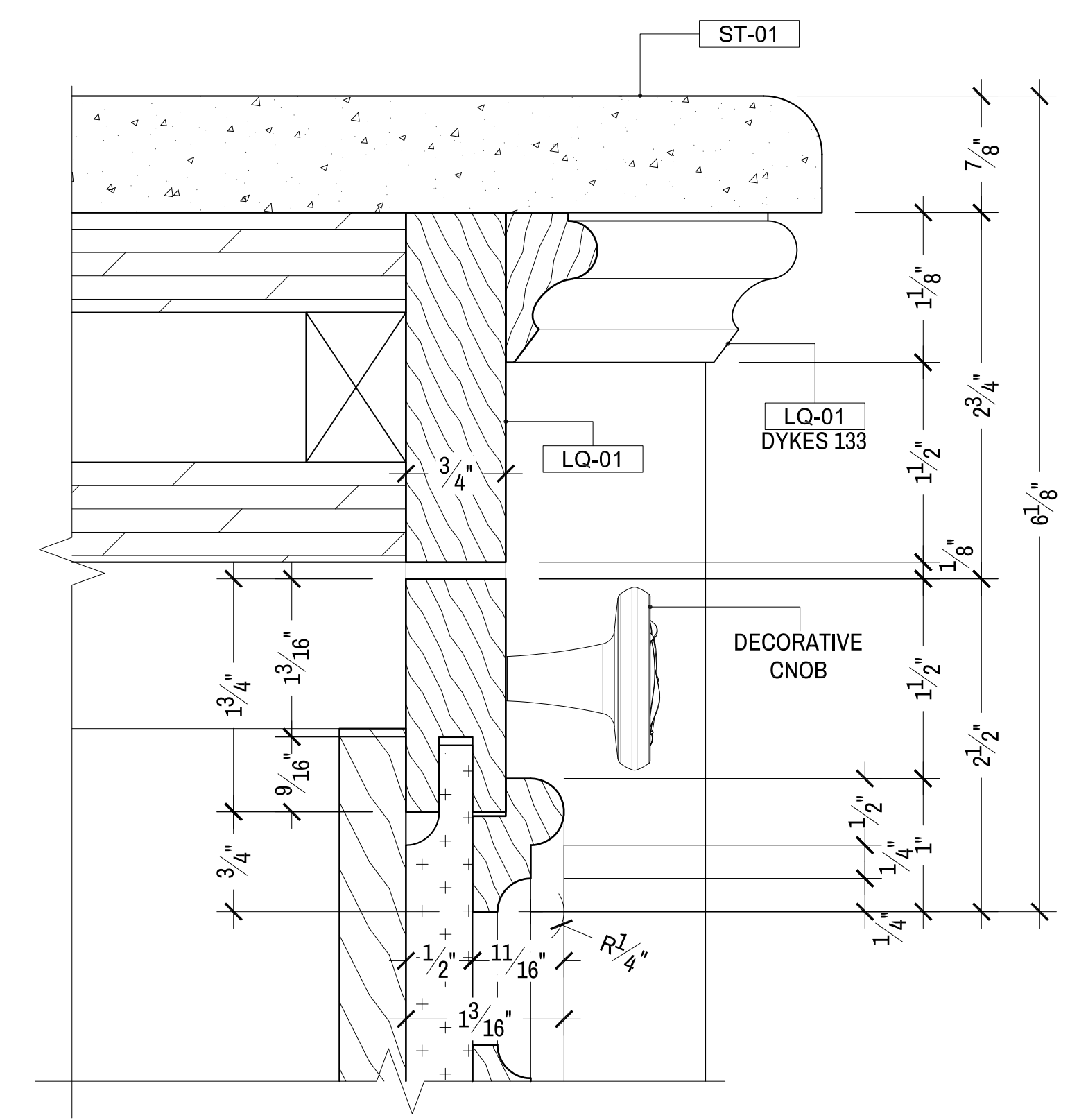
REVISION/DATE:	FOR:	DRAWN BY:
1 00/00/00	FOR SUBMITTAL	MA
2		
3		
4		
5		

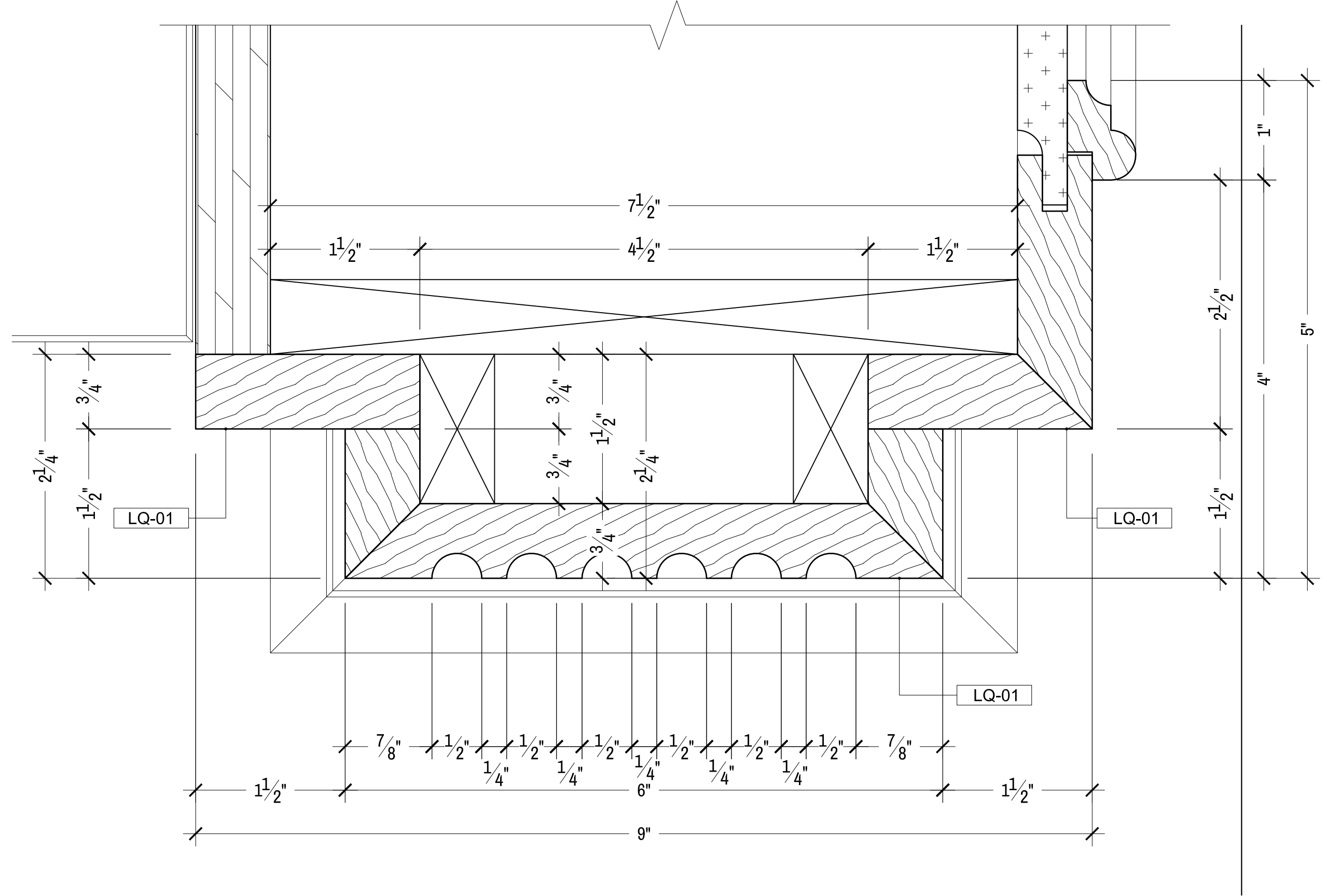
JOB NO:	PAGE:
SCALE: AS SHOWN	1.08
DATE: 00/00/00	



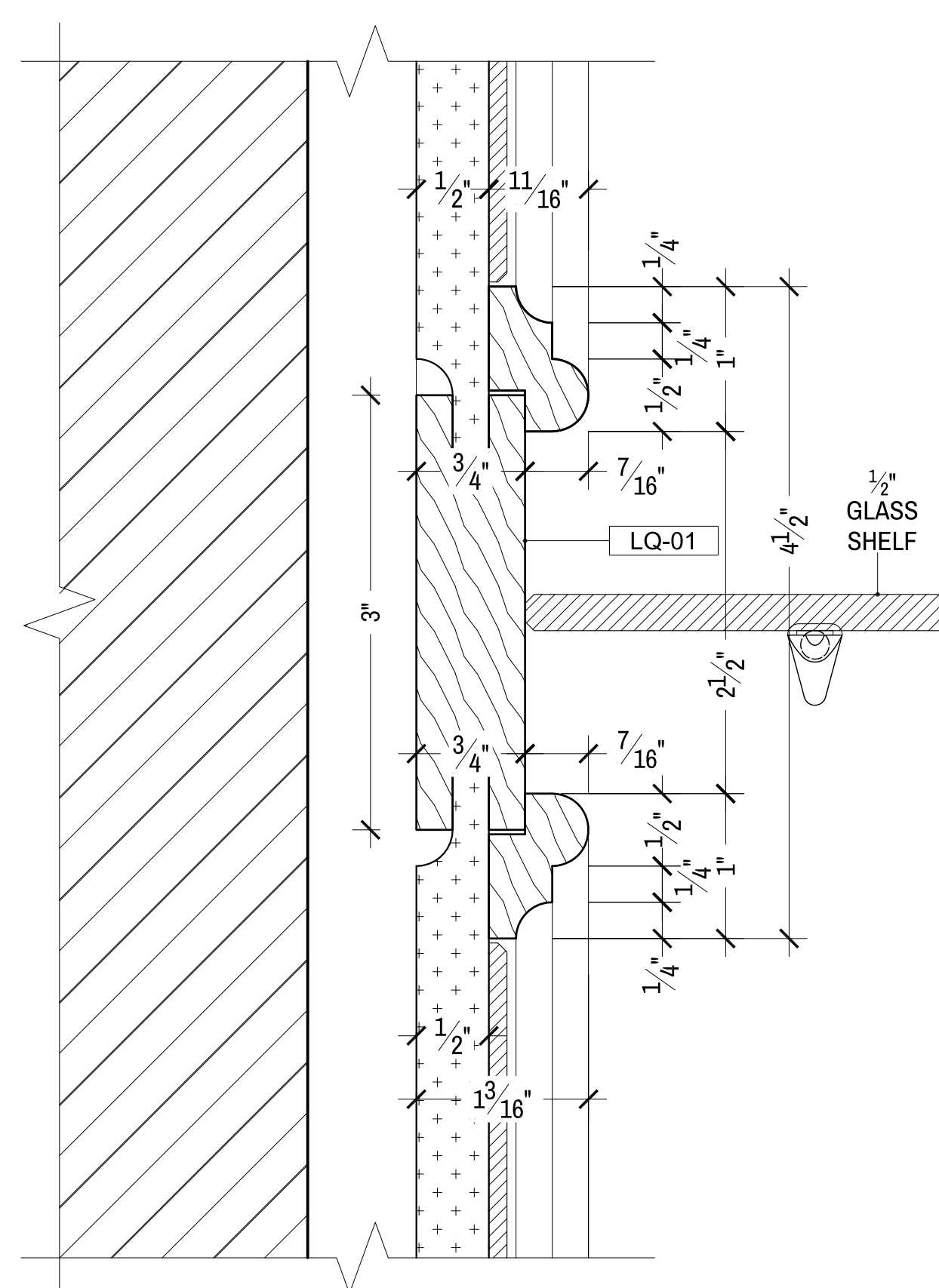
**D4 DETAIL** SCALE:FULL BAR BAR 108



**D6 DETAIL** SCALE:FULL BAR BAR 108



**D3 DETAIL** SCALE:FULL BAR BAR 108



**D5 DETAIL** SCALE:FULL BAR BAR 108